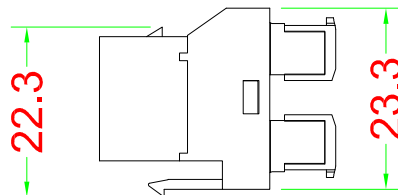
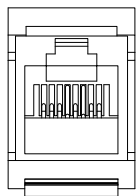
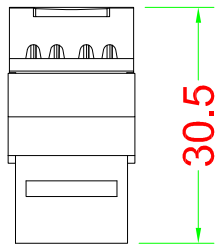
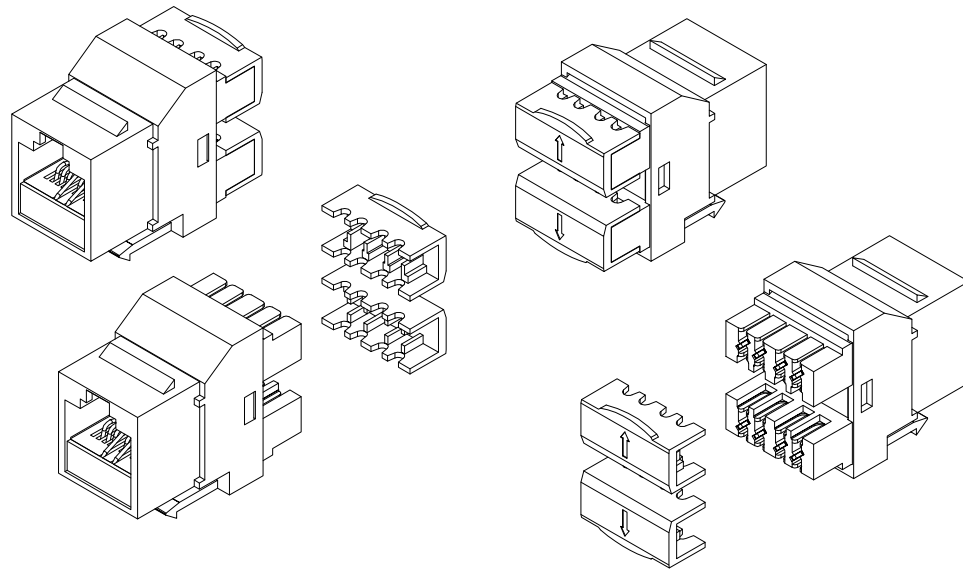


# C6 KEYSTONE JACK UTP 50u



## Performance:

Meets C6 EIA/TIA 568B Standard.

## Materials:

Body : Fireproof ABS UL-94V0

Jack : 8P8C 50 micro inches gold plated

PCB : FR-4 / UL-94V0

IDC Cap : Fireproof ABS UL-94V0

IDC Body : Fireproof ABS UL-94V0

IDC Pin : Bronze & Tinned

IDC Description : For 22-26 AWG.

For 110 or Krone punch-down Tool

## Electrical Specifications:

Insulation Resistance : 500M ohms (min.)

Contact Resistance : 20m ohms (max.)

Current Rating : 1.5 Amps .

DC Resistance : 0.1 ohms (max.)

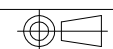
Withstanding Voltage : 1000 VAC RMS @ 60Hz / 1 min.

## Mechanical Specifications:

IDC Punch Down Cycle : Over 250 Cycles (min.)

Jack Insertion Cycle : Over 2000 Cycles (min.)

Operation Temperature : -40 °C ~ +70 °C

DRAW NO:		ITEM NO:	KJ-C6180Z-xx
	APPR	CUSTOMER:	
UNIT: m/m	DESIGN	DATE:	
SCALE:	Ref. NO:	TOLERANCE:	X ± 1 · X ± 0.2 · XX ± 0.15

