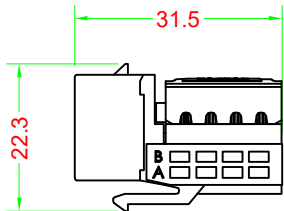
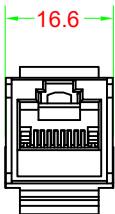
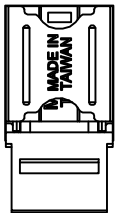
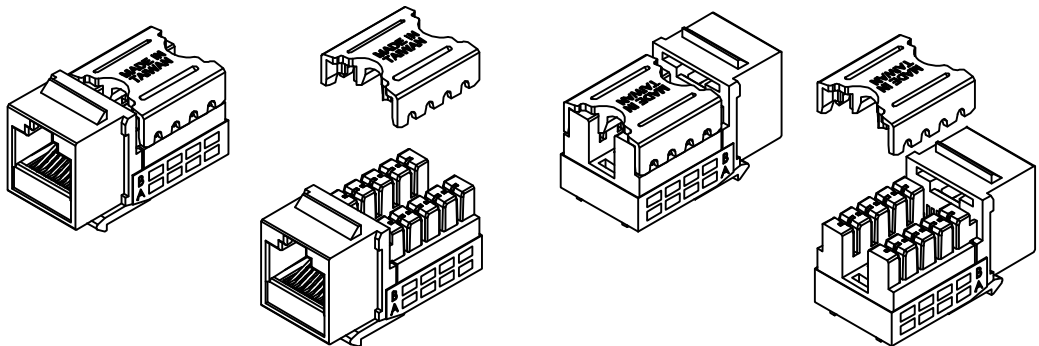


C6 KEYSTONE JACK UTP 50u



Performance:
Meets C6 EIA/TIA 568B Standard.

Materials:
 Body : Fireproof ABS UL-94V0
 Jack : 8P8C 50 micro inches gold plated
 PCB : FR-4 / UL-94V0
 IDC Cap : Fireproof ABS UL-94V0
 IDC Body : Fireproof ABS UL-94V0
 IDC Pin : Bronze & Tinned
 IDC Description : For 22-26 AWG.
 For 110 punch-down Tool

Electrical Specifications:
 Insulation Resistance : 500M ohms (min.)
 Contact Resistance : 20m ohms (max.)
 Current Rating : 1.5 Amps .
 DC Resistance : 0.1 ohms (max.)
 Withstanding Voltage : 1000 VAC RMS @ 60Hz / 1 min.

Mechanical Specifications:
 IDC Punch Down Cycle : Over 250 Cycles (min.)
 Jack Insertion Cycle : Over 2000 Cycles (min.)

Operation Temperature : -40 ~ +70

DRAW NO:		ITEM NO:	KJ-C6090Z-xx
	APPR	CUSTOMER:	
UNIT: m/m	DESIGN	DATE:	
SCALE:	Ref. NO:	TOLERANCE:	· ± 1 · X ± 0.2 · XX ± 0.15

