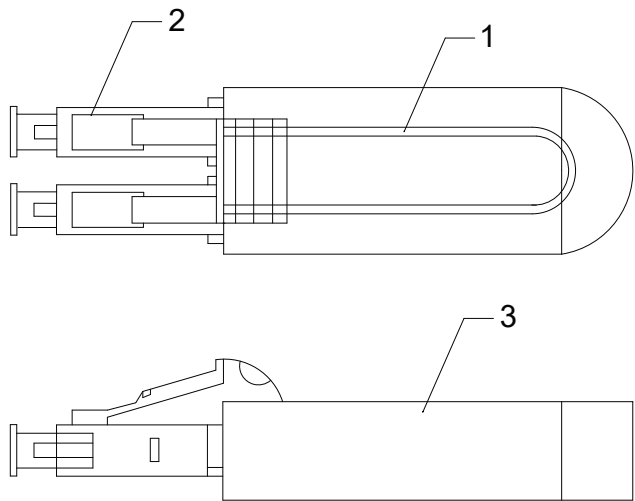


## LC Fiber Optic Loopback Adapter - OM5, UPC, (50/125)



### About OM5 Compatibility

OM5 is fully compatible with OM3 and OM4 cabling and meets all OM4 physical specifications. It features extended effective modal bandwidth of up to 2470 MHz·km at 953nm, making it ideal for VCSEL transceivers operating across the 846–953 nm wavelength range. OM5 enables high-performance parallel and SWDM transmission for demanding data center environments.

3 Black Plastic Housing

2 LC/UPC MM Duplex 2.0mm Connector (Beige Housing)

1 OD:250µm, Multimode 50/125 OM5, Corning Simplex, Bare Core Fiber Color: Transparent



The Networx® LC Multimode OM5 Loopback Adapter is a cutting-edge diagnostic tool designed for advanced multimode fiber networks. Also known as Wide Band Multimode Fiber (WB MMF), OM5 supports high-bandwidth applications and next-gen technologies such as SWDM (shortwave wavelength division multiplexing), enabling reduced fiber counts in optical transmission.

Constructed using premium Corning glass and engineered to OM5 standards, this adapter provides accurate loopback testing with ultra-low insertion loss. It is backward compatible with OM3 and OM4 systems and optimized for high-speed networks up to and exceeding 40G.

### Key Features

- **Connector Type:** LC Male to LC Male
- **Core Size:** 50/125 µm (OM3 Multimode)
- **Insertion Loss:** <0.10dB (Typical), ≤0.50dB (Max)
- **Operating Temperature:** -40°C to +85°C
- **Length:** Compact 2-inch profile
- **Boot Size:** 0.9mm
- **Color:** Ivory
- **Warranty:** Lifetime Manufacturer Warranty

### Applications

- Loopback testing in OM5-enabled fiber optic networks
- Advanced diagnostics for high-speed multimode systems
- Compatible with SWDM technologies and parallel optics
- Ideal for enterprise, hyperscale, and telecom deployments