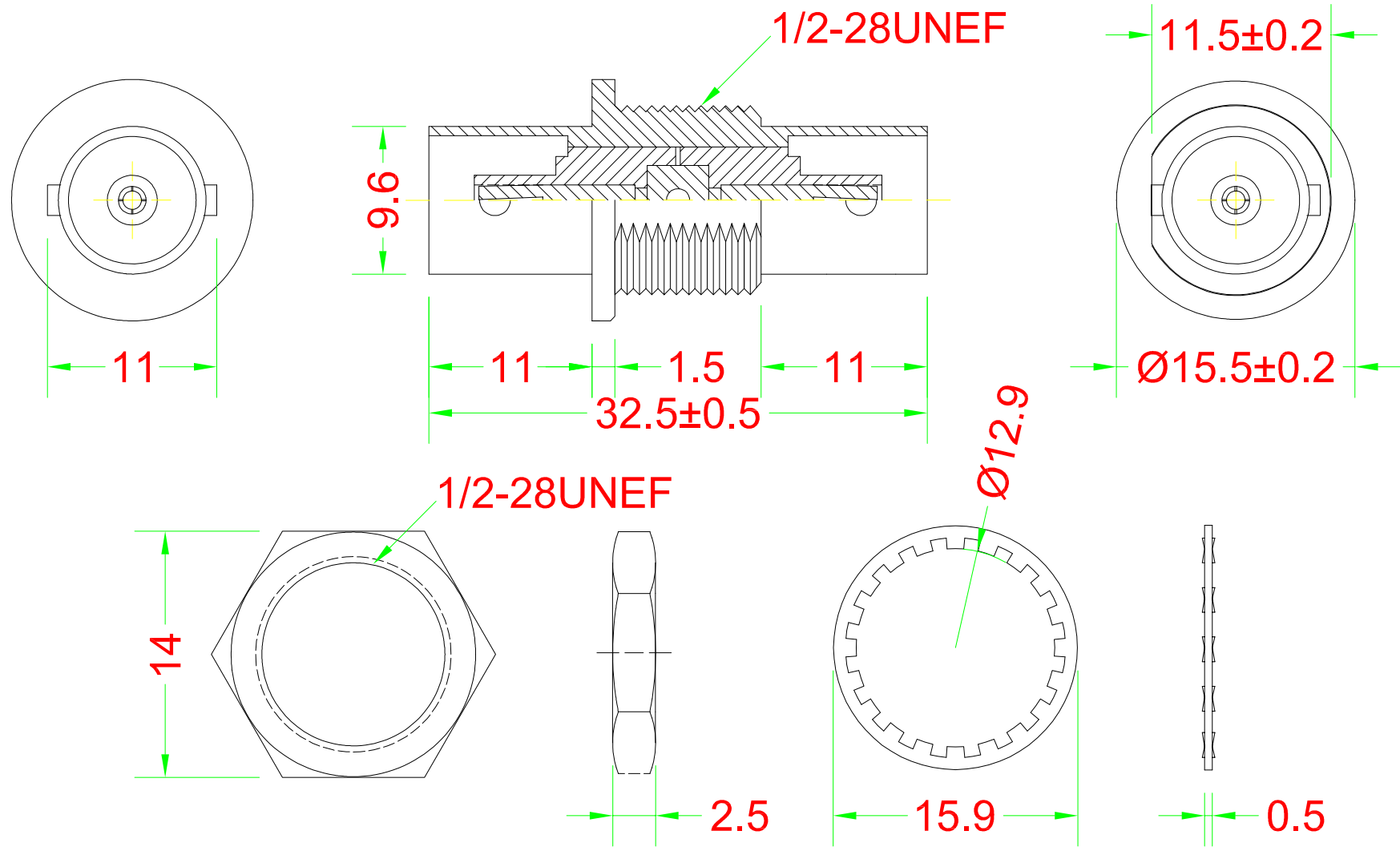


# Double BNC Female Bulkhead



## Material

Body : ZINC NICKEL  
 Washer : STEEL NICKEL

DRAW NO:		ITEM NO:	AD-BNCPM75-10
	APPR	CUSTOMER:	
UNIT: m/m	DESIGN	DATE:	
SCALE:	Ref. NO:	TOLERANCE:	X ± 1 · X ± 0.2 · XX ± 0.15

