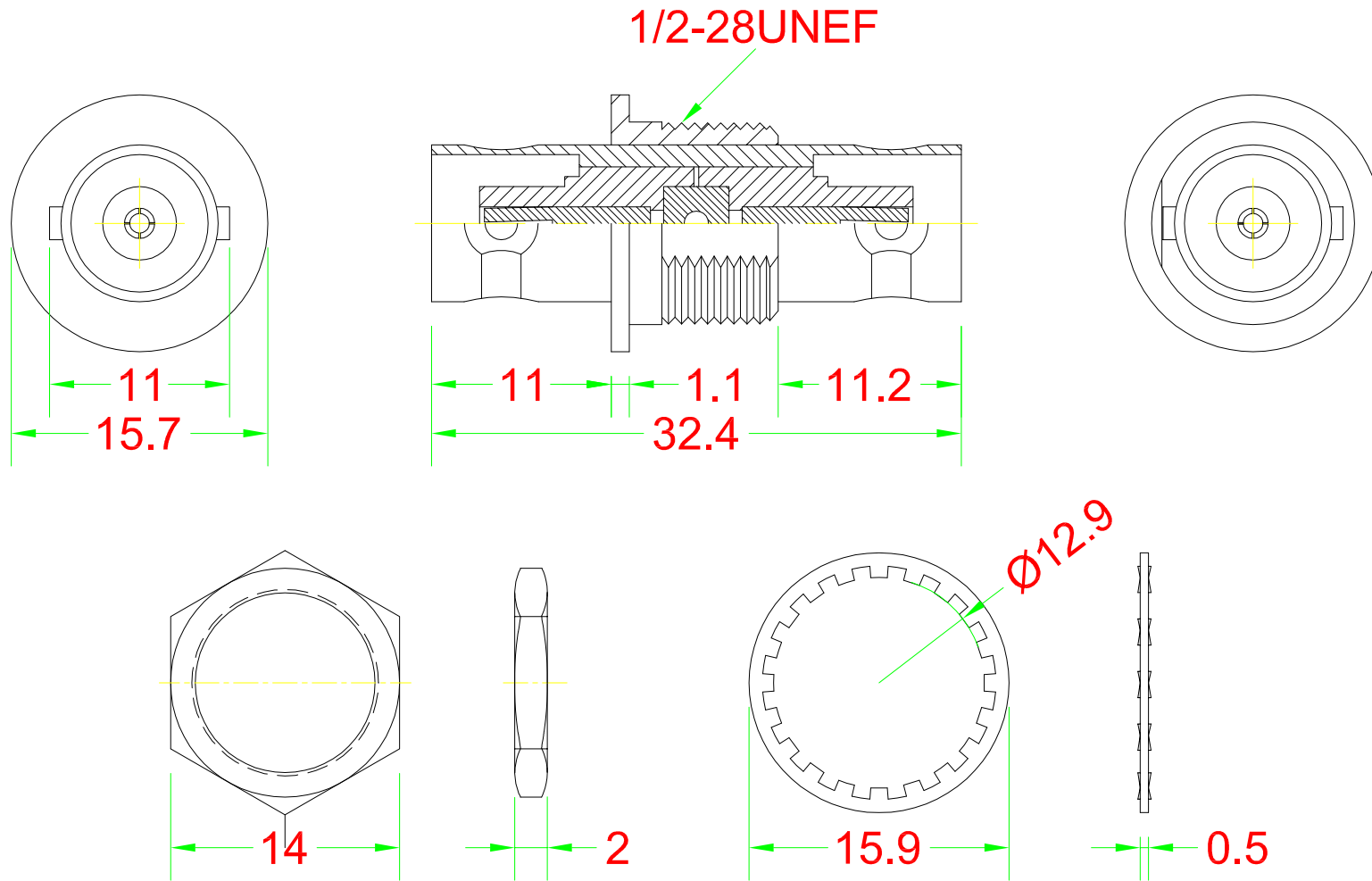


Double BNC Female Bulkhead



Materials :

Body : ZINC & NICKEL PLATING

Isolated : ABS

DRAW NO:		ITEM NO:	AD-BNCIPM75-10
	APPR	CUSTOMER:	
UNIT: m/m	DESIGN	DATE:	
SCALE:	Ref. NO:	TOLERANCE:	X ± 1 · X ± 0.2 · XX ± 0.15

