

1. Housing Material: Polycarbonate
UL Flammability Rating: UL 94V-0, RoHS Compliant

2. Contacts Type: Straight pin fits Stranded wire only.

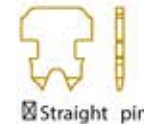
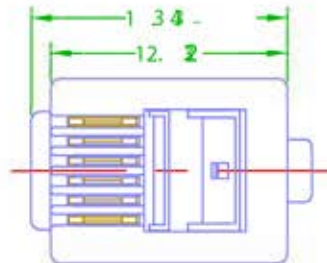
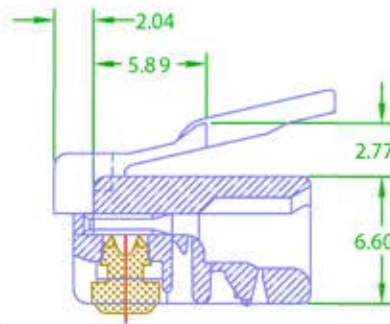
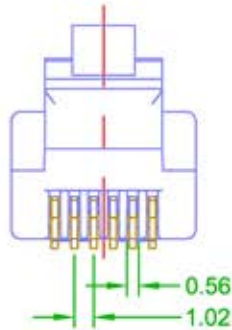
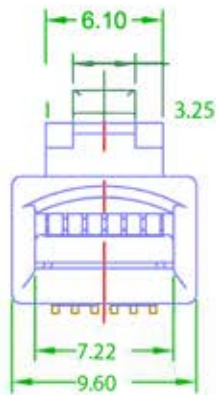
3. Gold Plating: 50u (1.27µm)

4. Packaging Quantity: 100pcs

5. Housing Color: Transparent

6. Shielded Material : Brass with nickel plated, or Non-Shielded.

7. Operating Temperature: 0°C to 60°C.



☒ Straight pin

NOTE: ±0.1

B		2	3D	☒ a	Drawing	Chidy	Date	2004/11/11	UL Code	6P6C
A	An initial version	Unit	m/m	Checked	Chris	Date	2004/11/11	Description		
Rev	Description	Scale	1:1	Approved	Şason	Date	2004/11/11	AC-6P6C-R-100		

