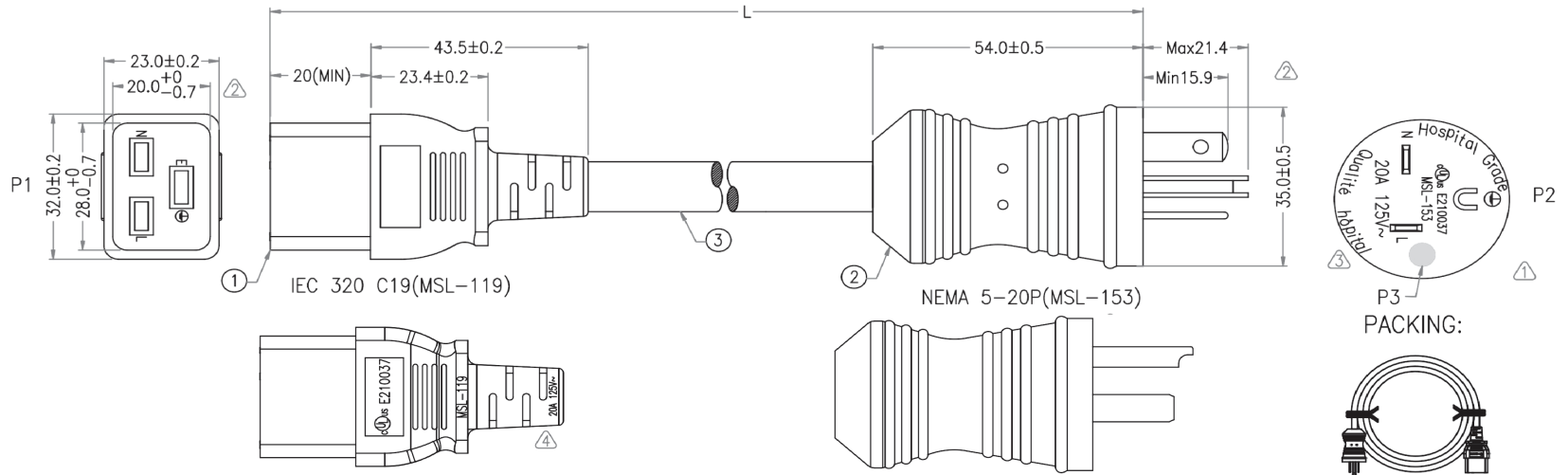


# Hospital Grade NEMA 5-20P to IEC C19 Power Cord - 12 AWG, 20A/125V, SJT, Black

P1: M-042
P2: M-Y087A
M-087A
P3: M-087B



P1,P2: cULus E210037

NOTE: All relevant materials are complied with RoHS directive .  
THE CABLE MARKING IS CONCAVE LETTERING MOULD

MARKING: (UL) SJT 3/C 12AWG(3.31MM<sup>2</sup>) VW-1 105°C 300V E204978  
C(UL) SJT 3/C 3.31MM<sup>2</sup>(12AWG) FT2 105°C 300V E204978 MSL

119153B2F12B(FP334-01)		
	P1	P2
BLACK	L _____	L
WHITE	N _____	N
GREEN	E _____	E

3	UL SJT 12AWG x 3C, OD 11.0mm, JACKET BLACK, DRAWING No.EPSJT011203C-158	L-20mm	M304
2	MOLDED PVC 80P, COLOR GREEN		M304
	MOLDED PVC 45P, COLOR BLACK		M304
	MOLDED PVC 35P, COLOR BLACK		M304
	RIVETING CLAW	1	M1220
	TERMINAL: 98478ABL-1	1	M257
	TERMINAL: 98693ABL-1	2	M257
1	MOLDED PVC 35P, COLOR BLACK		M304
	BRACKET: YST-037	1	M767
	TERMINAL: 98739ABS-0	3	M257

ITEM NO.	8-PCDHG2019-XX-12	UNIT:mm	
----------	-------------------	---------	--

REV.3 2022.08.03	MODIFY P2 LOGO FONT	REV.4 2025.03.25	MODIFY CURRENT SYMBOL
REV.1 2022.4.1	MODIFY P2 WORD MODEL	REV.2 2022.6.20	MODIFY MOLD SIZE

NOTE: Cable Length Unless Otherwise Spec. Tolerances: Under 6FT ±25mm; Another ±50mm