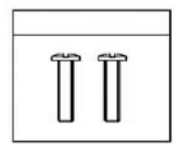
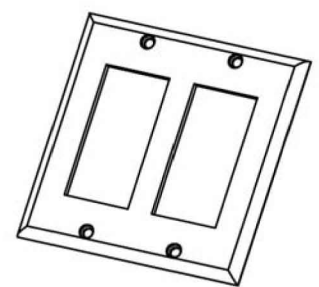
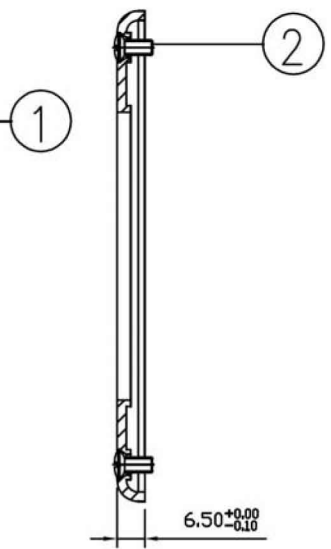
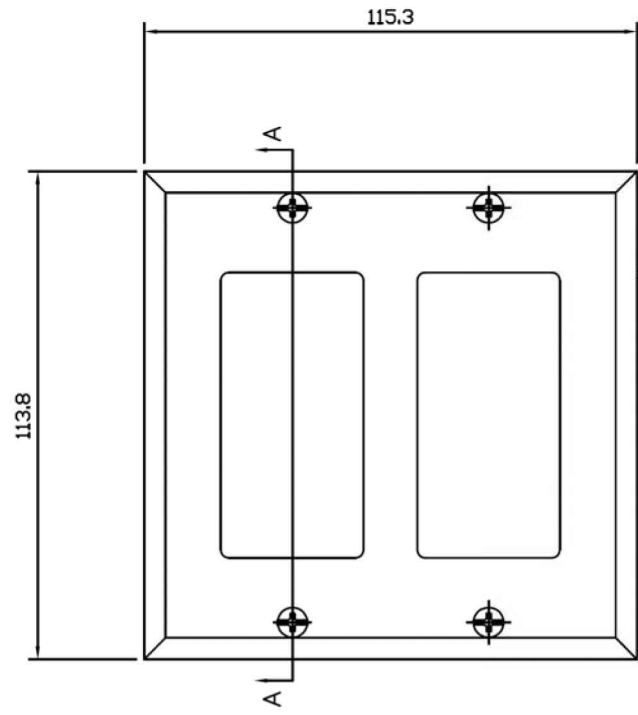


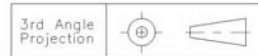
REVISIONS				
ZONE	REV.	DESCRIPTION	DATE	APPROVED



Notes:
 1. All dimensions in millimeters.
 2. Material ABS Grade-UL94V0 -PA 765A or equivalent grade.

A-A SECTION(1:1)

screw x 4
 (#6-32)



	NAME	DATE
DRAWN		
CHECKED		
DIMENSIONS ARE MM [IN]		
TOLERANCES:		
ANGULAR ± 1°		
.X : ± 0.20		
.XX : ± 0.10		
.XXX : ± 0.05		



Title Dual Gang Decorex wall plate		REV. A
PART NO. WP-DXPXX		
Customer Parts No. 		
SCALE 1:1	DWG.NO 	SHEET 1/1