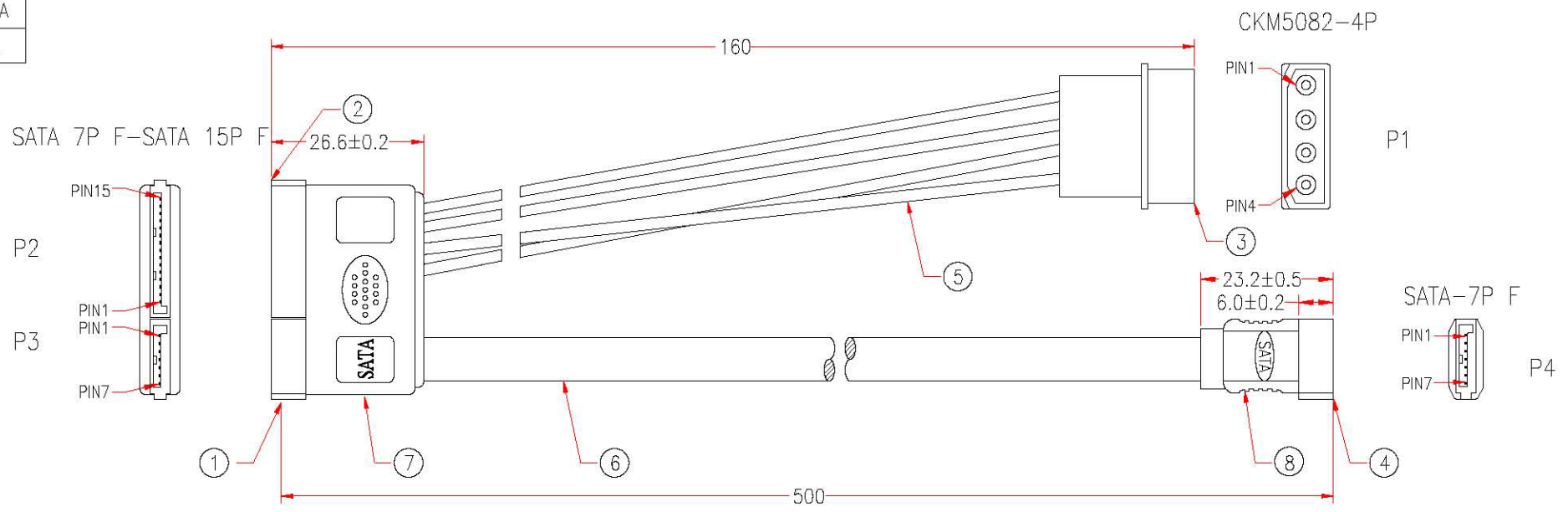
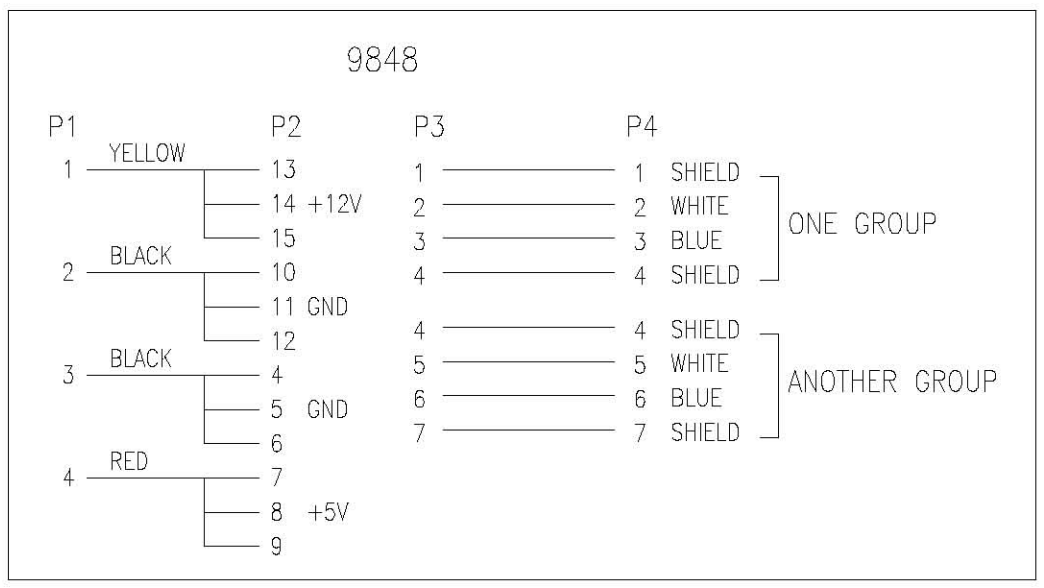


P2,P3:	M-Y358A
	M-358A
P4:	M-Y348A
	M-348A



△ \* NOTE: All relevant materials are complied with RoHS directive .



8	MOLDED PE COLOR TRANSPARENT		TWN
	MOLDED PVC BLACK		M304
7	MOLDED PE COLOR TRANSPARENT		TWN
	MOLDED PVC BLACK		M304
6	UL2725 SERIAL ATA EXTERNAL CABLE, 26AWG (26AWG+2C+D/W*3+AL/MY)*2C, OD 2.2*7.6mm, JACKET RED	490mm	M298
5	UL1061 18AWG INSULATOR WIRE, LENGTH 140mm, DRAWING No. EH001801C-014	4	M304
4	SERIAL ATA CONNECTOR, FEMALE 7 PIN, BLACK PLASTIC	1	M108
	TERMINAL: CKM5082-T	4	M31
3	HOUSING: CKM5082-4P, PITCH 5.08mm	1	M31
	SERIAL ATA CONNECTOR, FEMALE 15 PIN, BLACK PLASTIC	1	M108
2	SERIAL ATA CONNECTOR, FEMALE 7 PIN, BLACK PLASTIC	1	M108
No.	DESCRIPTION	Q'TY	Supplier

APPROVED			Cable Length Unless Other Spec. Tolerances: 0 ~200mm ±10mm 201~1000mm ±20mm 1001 ~1500mm ±25mm 1501~2100mm ±30mm 2100mm↑ ±40mm
CHECKED	TIAN		
DRAWING	SUSAN		
DATE	21/JUN/06		