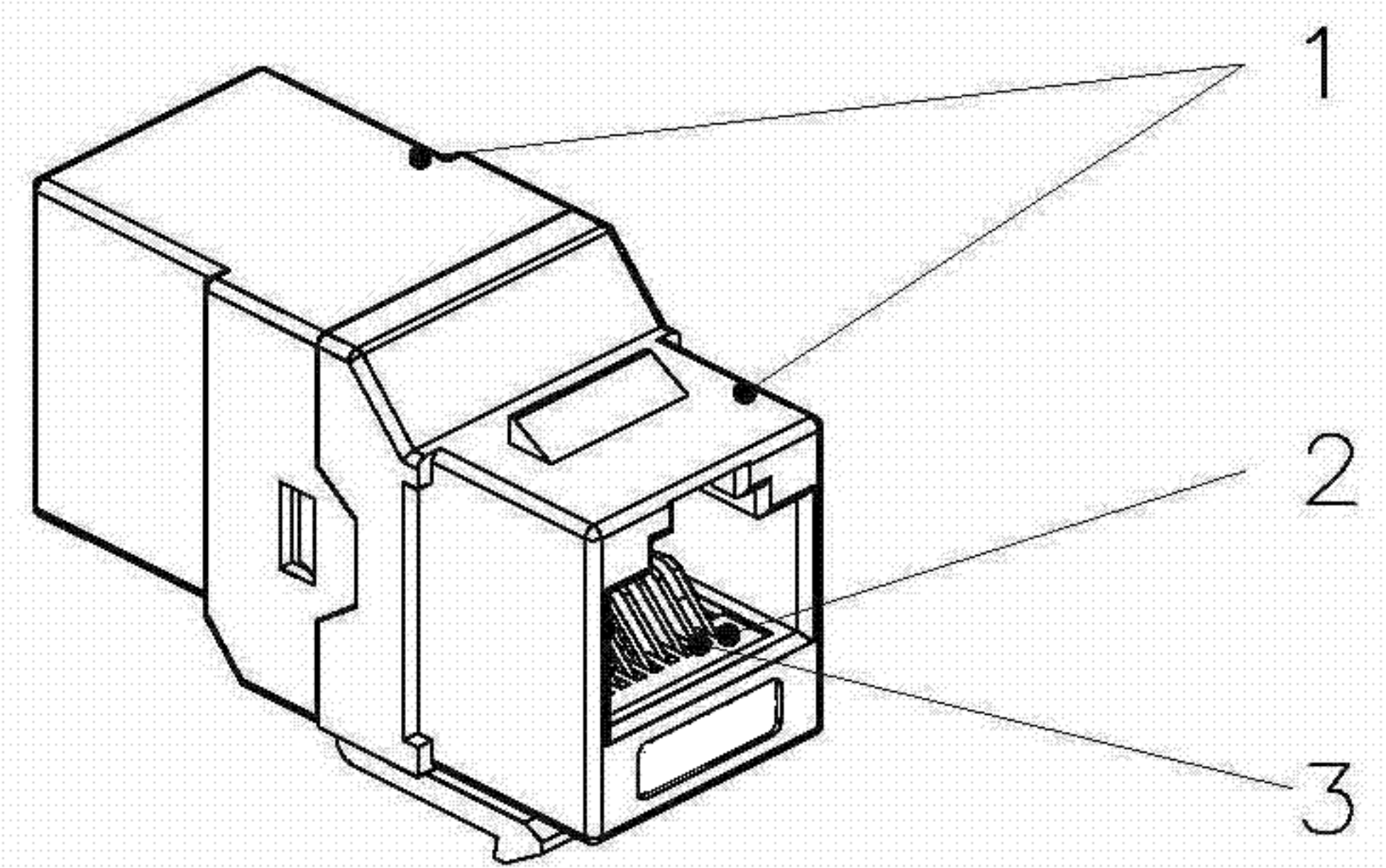
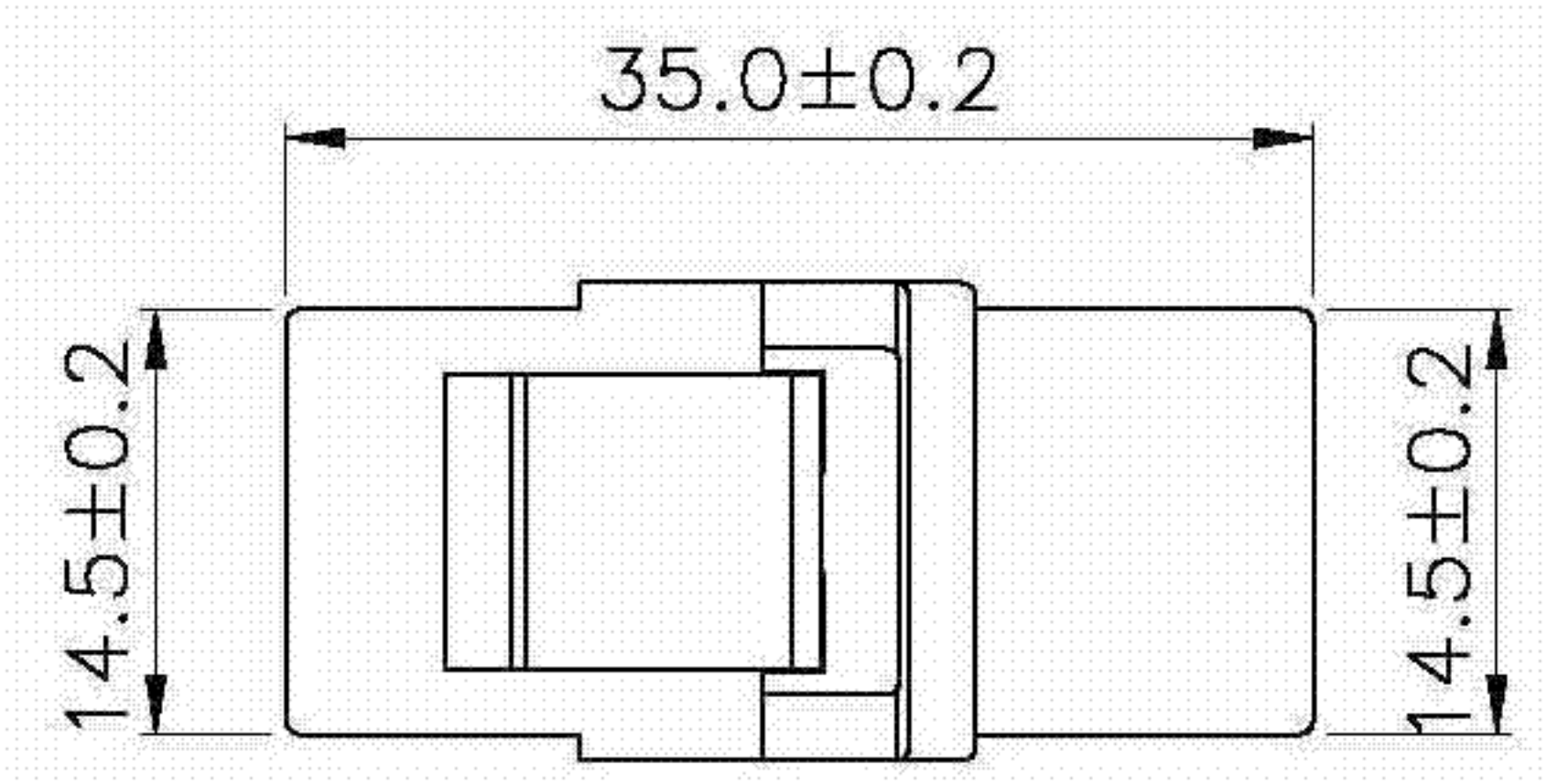
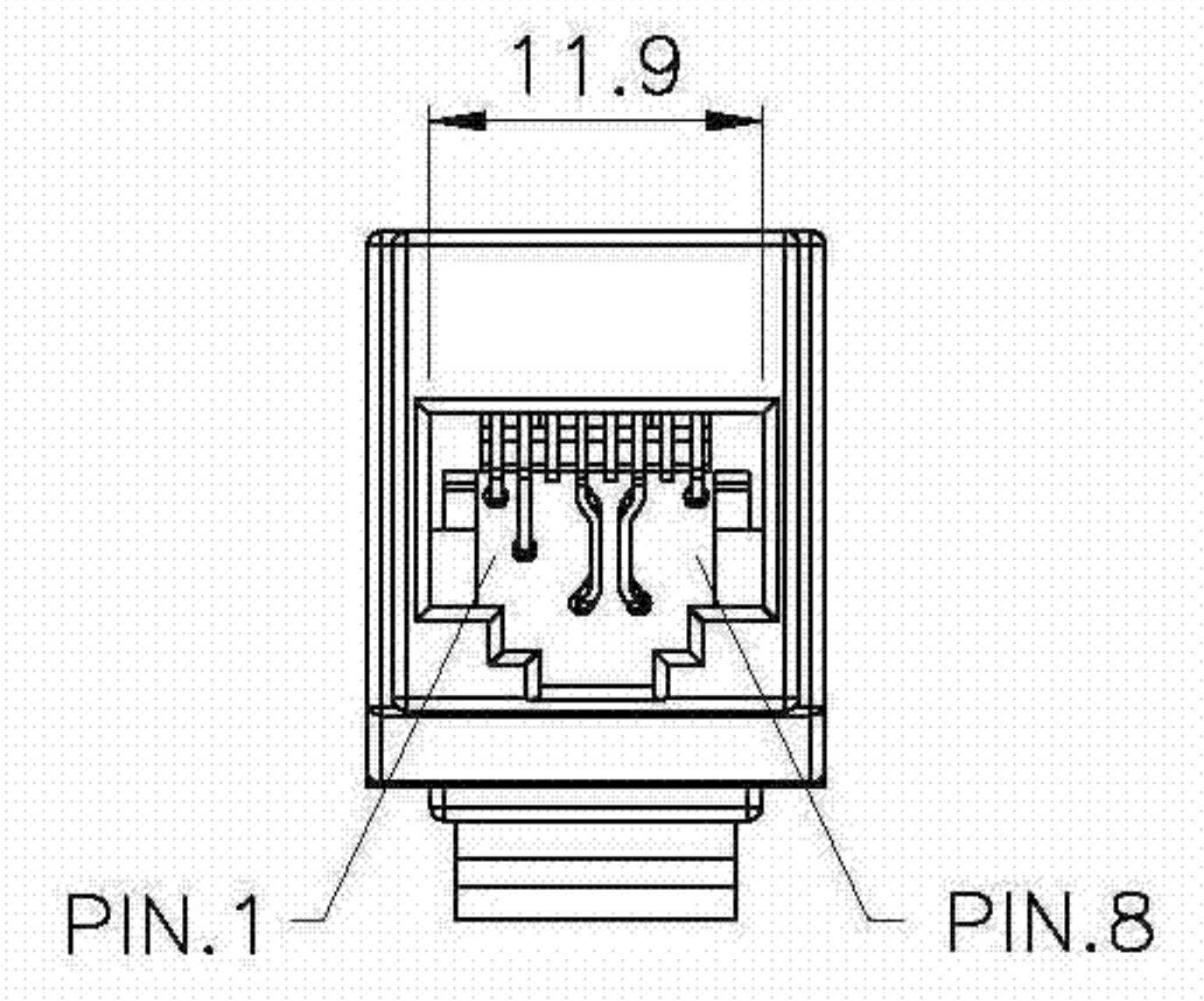
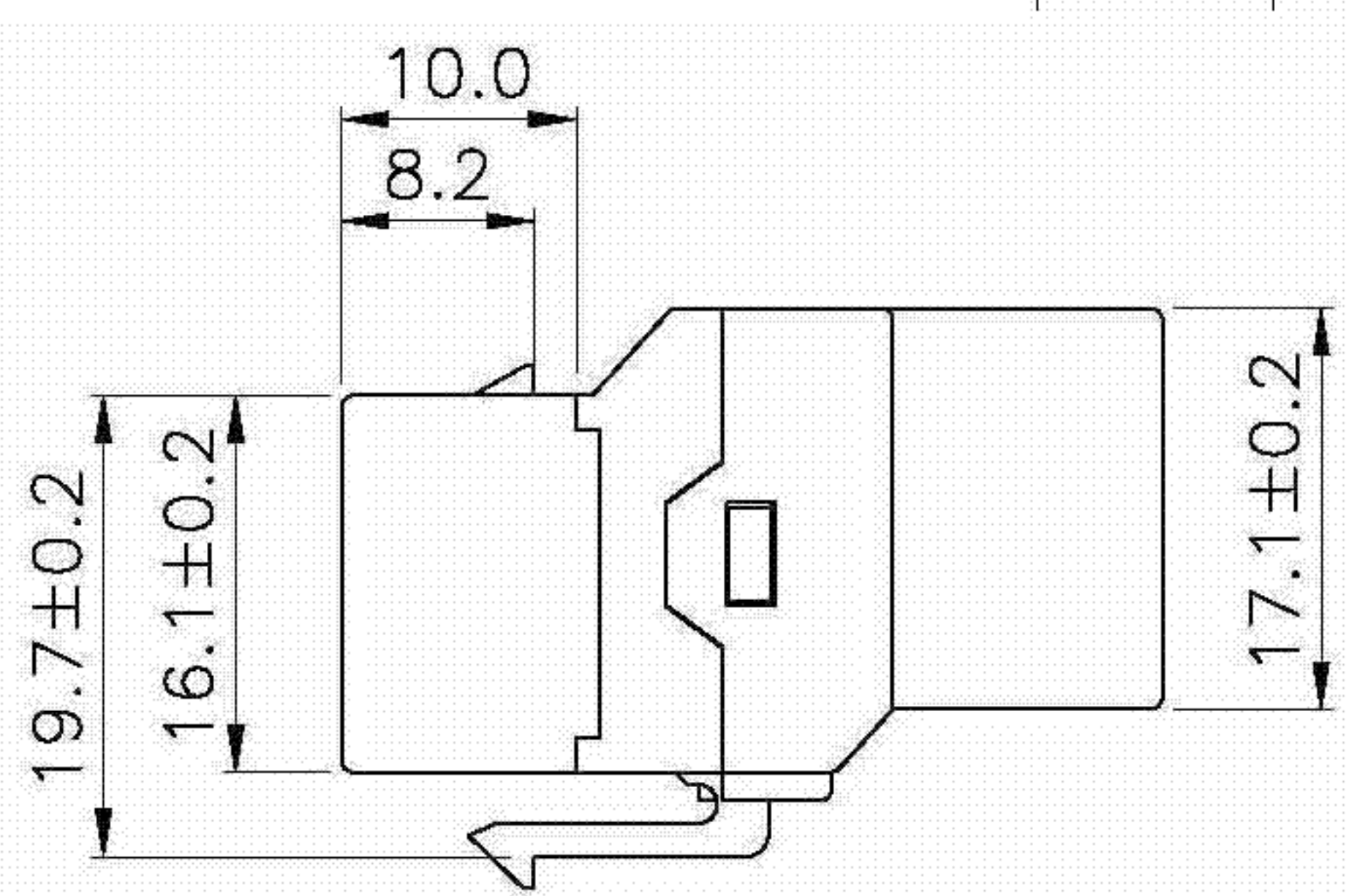
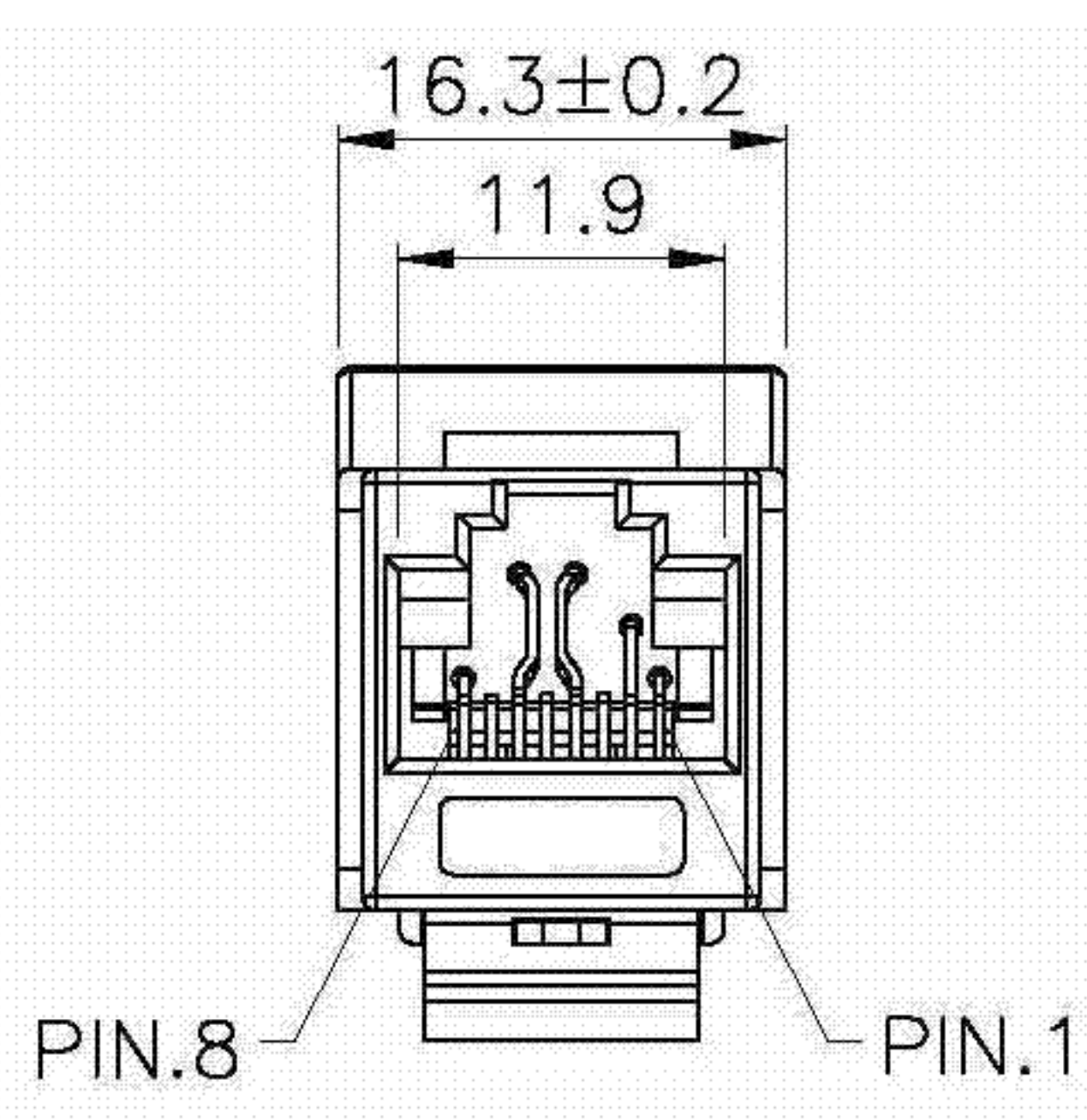


ZONE		REV.	REVISIONS		DATE	APPROVED
			DESCRIPTION			



SCALE 1/1



Specification :

Material :

- 1. RJ45 Jack Housing : ABS+PC, UL 94V-0.
- 2. RJ45 Jack Bracket Set : PC, UL 94V-2, Transparent color.
- 3. RJ45 Jack Contact :
 - 3-1. Material : Phosphor Bronze with Nickel plated.
 - 3-2. Finish : 50 micro-inch Gold plated on Plug contact area.
- 4. PCB : FR4, UL 94V-0.

Performance :

- a. Insertion force : 20N max. (IEC 60603-7-4).
- b. Retention strength : 7.7 kg between Jack and Plug.
- c. Operating temperature : -10°C to 60°C. (ISO/IEC 11801, ANSI/TIA/EIA 568 B.2)
- d. Life(mating cycles) : 750 cycles min. (ISO/IEC 11801, IEC 60603-7-4).
- e. The Cat.6 transmission performance is in compliance with the ANSI/TIA/EIA 568 B.2-1 standard.
- f. The Cat.5e transmission performance is in compliance with ANSI/TIA/EIA 568 B.2 standard.

	NAME	DATE
DRAWN	Frank MA	oct 10, 2010
CHECKED		



Title		Unshielded, Keystone type Inline coupler	
PART NO.	KJ-C5CPL-BK	REV.	A
Customer Parts No.			
SCALE	1:1	DWG.NO	SHEET 1/1

DIMENSIONS ARE MM [IN]
 TOLERANCES:
 ANGULAR ± 1°
 .X : ± 0.20
 .XX : ± 0.10
 .XXX : ± 0.05

