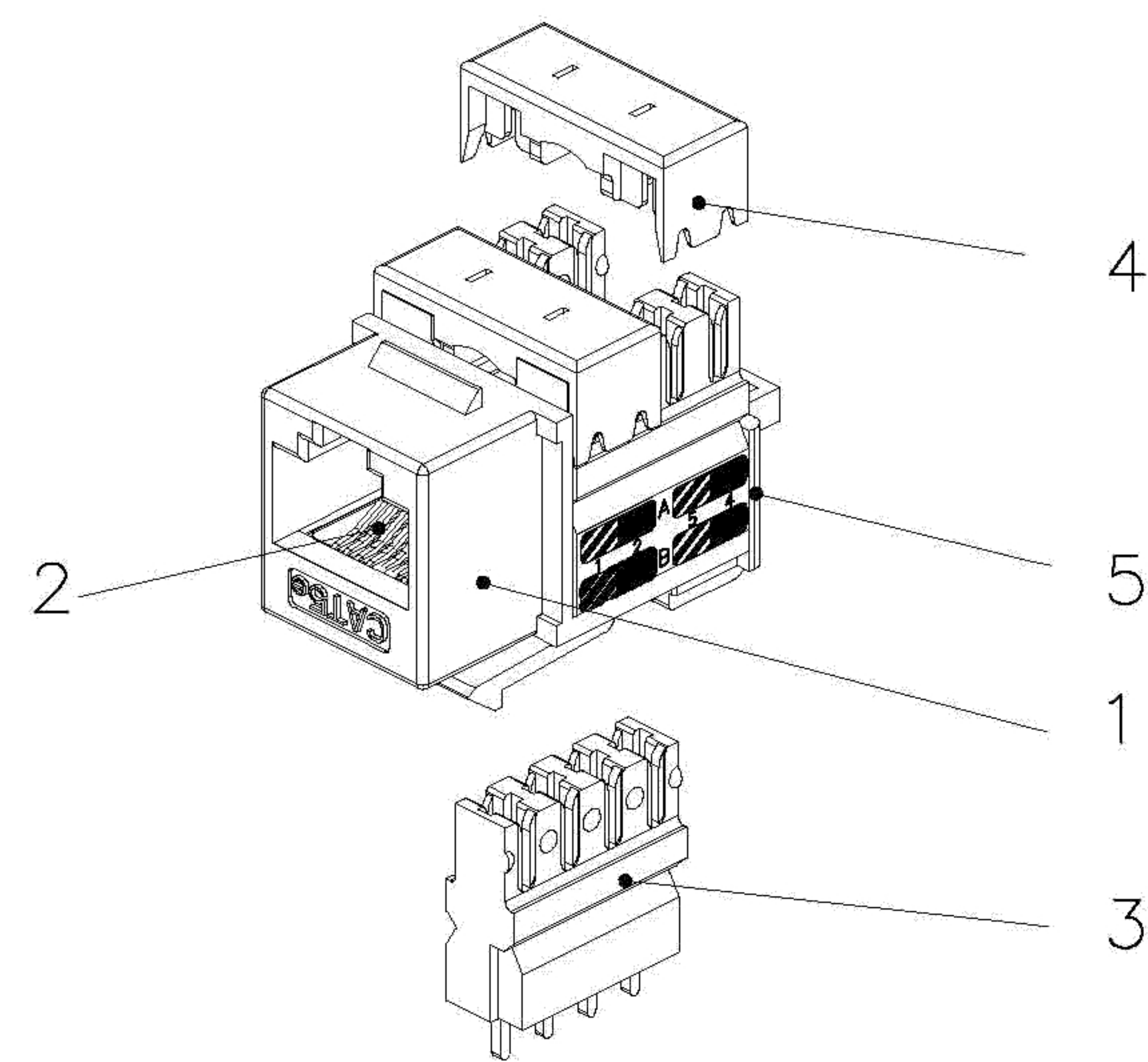
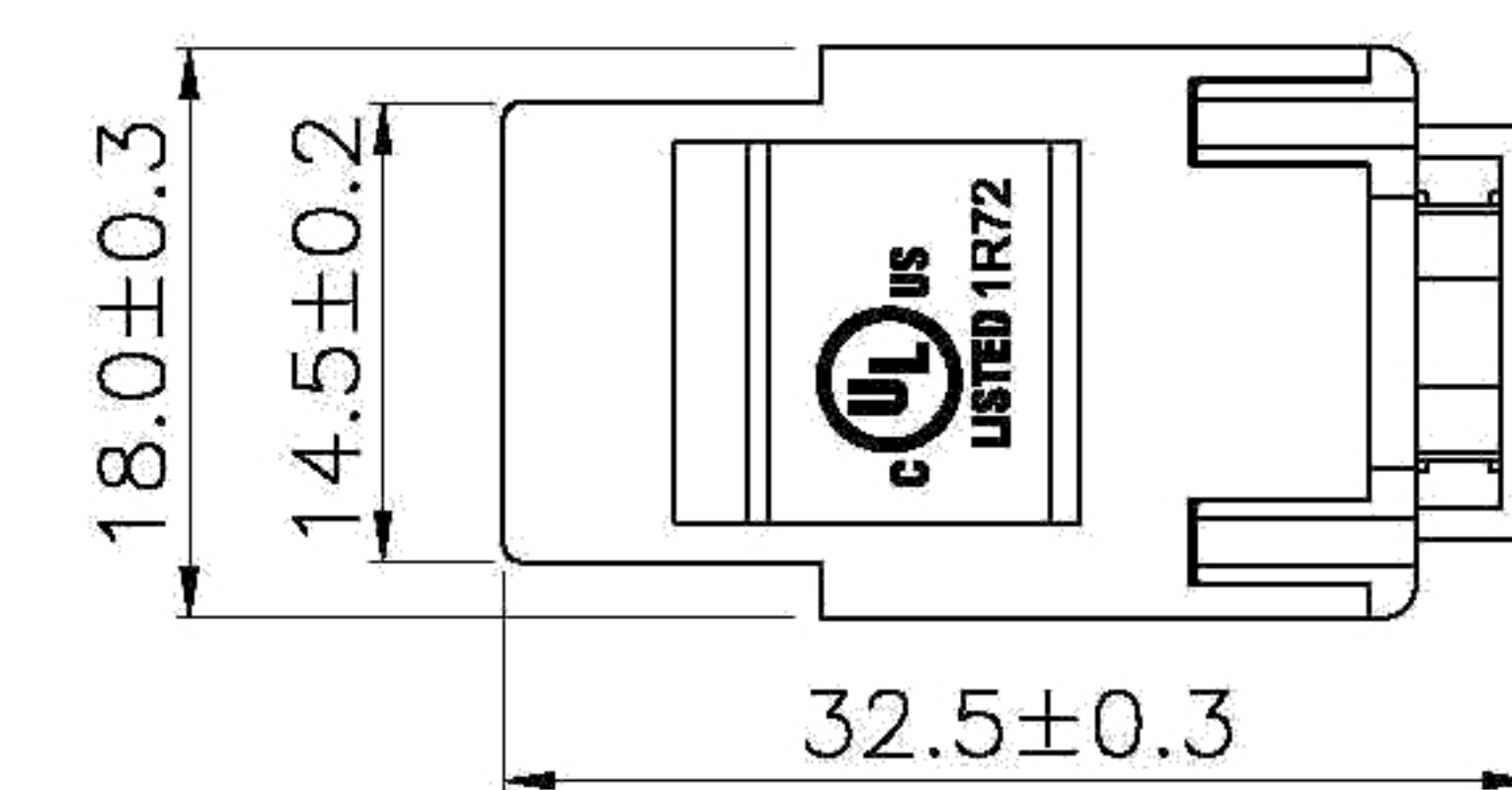
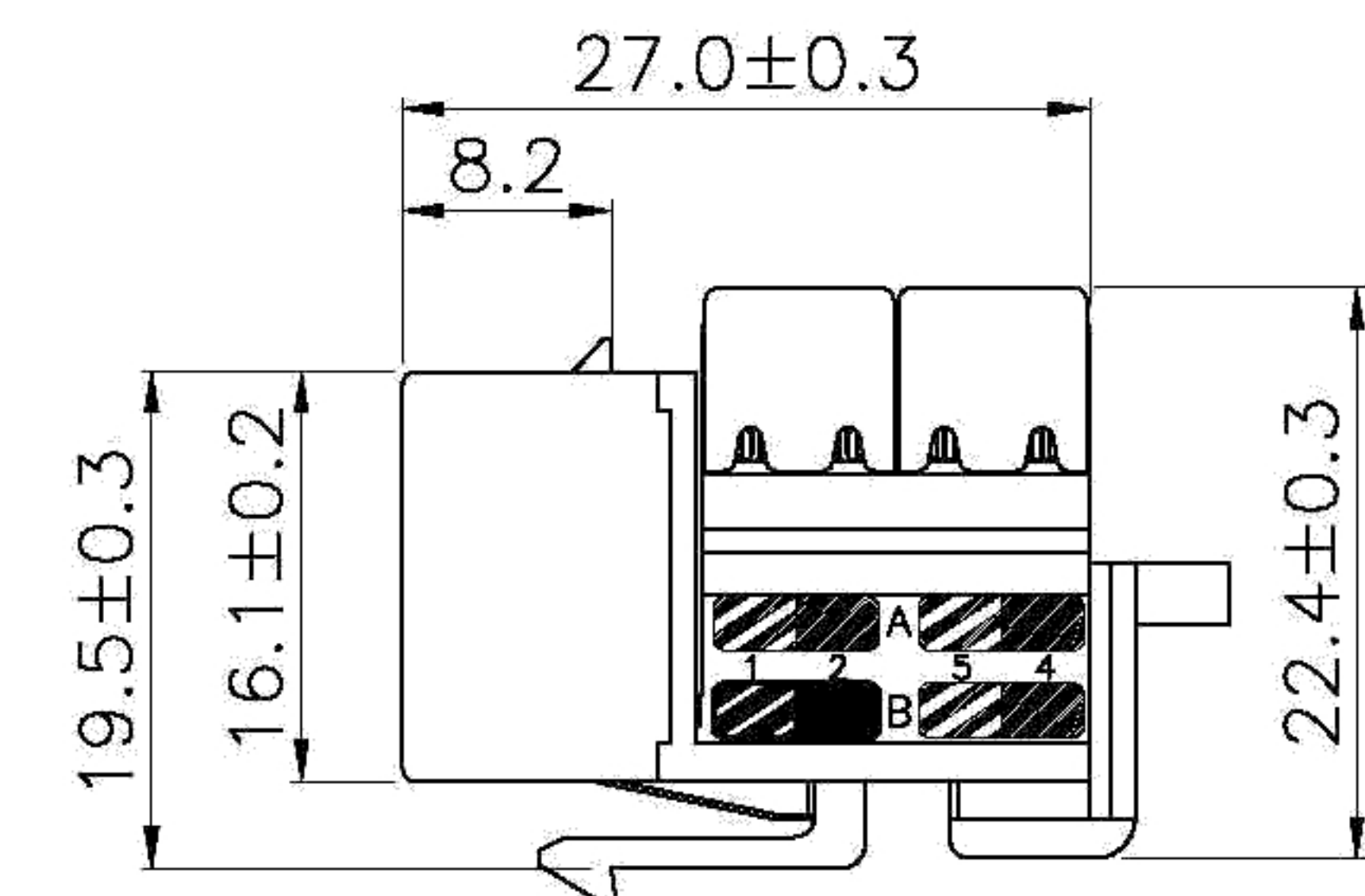
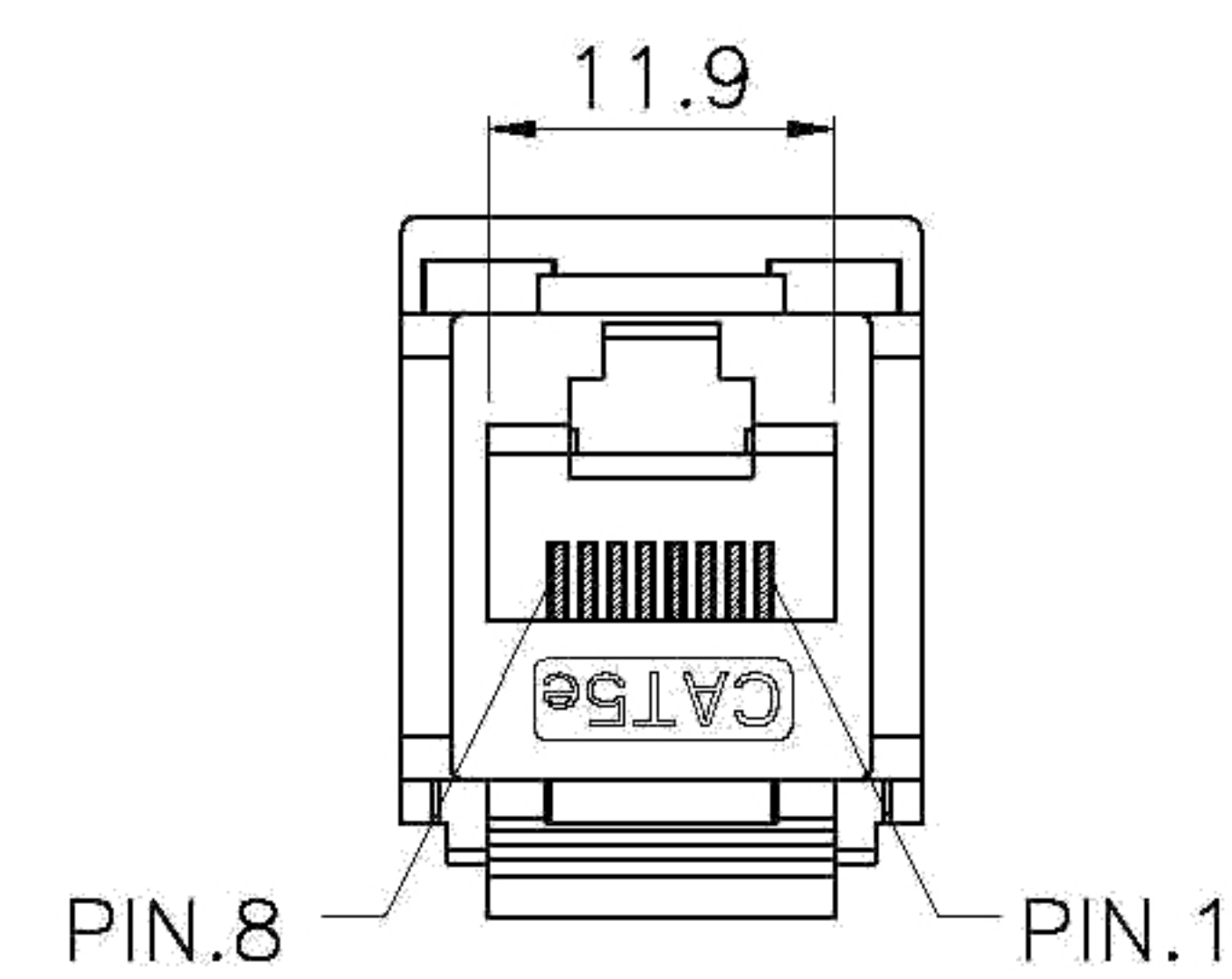


ZONE		REV.	REVISIONS	DATE	APPROVED
			DESCRIPTION		



110/KRONE DUAL IDC

SCALE 1/1



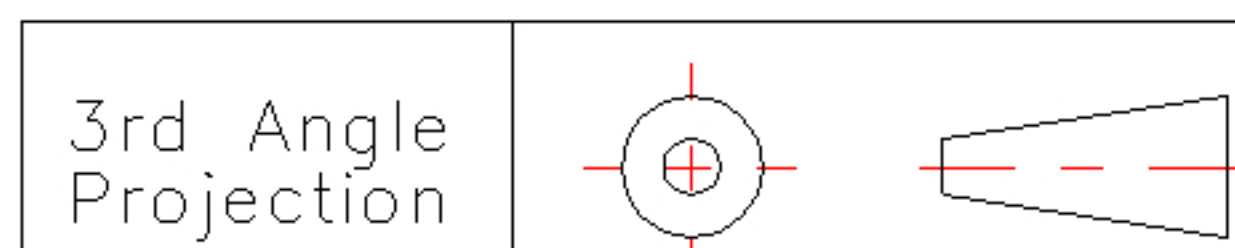
Specification:

Material :

1. RJ45 Jack :
 - 1-1. Housing : ABS+PC, UL 94V-0, with optional color.
 - 1-2. RJ45 Jack Bracket Set : PBT+Glass Fiber, UL 94V-0.
2. RJ45 Jack Contact :
 - 2-1. Material : Phosphor Bronze with Nickel plated
 - 2-2. Finish : 50 micro-inch Gold plated on Plug contact area.
3. IDC :
 - 3-1. Housing : PC+Glass Fiber, UL 94V-2.
 - 3-2. Terminal : Phosphor Bronze with min. 50 micro-inch Tin plated.
4. IDC CAP : ABS, UL 94-HB.
5. IDC Bracket : ABS, UL 94V-0.
6. PCB : FR4, UL 94V-0.

Performance :

- a. T568A & T568B wiring sticker.
- b. Insertion force : 20N max. (IEC 60603-7-4).
- c. Retention strength : 7.7 kg between Jack and Plug.
- d. Operating temperature : -10°C to 60°C. (ISO/IEC 11801, ANSI/TIA/EIA 568 B.2)
- e. Life(mating cycles) :
 - *Jack : 750 cycles min. (ISO/IEC 11801, IEC 60603-7-4)
 - *IDC : Suitable for 22-26 AWG stranded and solid wire, compatible with both 110 & Krone punch down tools.
- f. The Cat.5e transmission performance is in compliance with the ANSI/TIA/EIA 568 B.2 standard.



	NAME	DATE
DRAWN	Frank MA	oct 23,2008
CHECKED		

DIMENSIONS ARE MM [IN]
 TOLERANCES:
 ANGULAR ± 1°
 .X : ± 0.20
 .XX : ± 0.10
 .XXX : ± 0.05



Title CAT5e 90 Degree 110 UTP Keystone Jack	
PART NO. KJ-C5090	REV. A
Customer Parts No.	
SCALE 1:1	DWG.NO
SHEET 1/1	