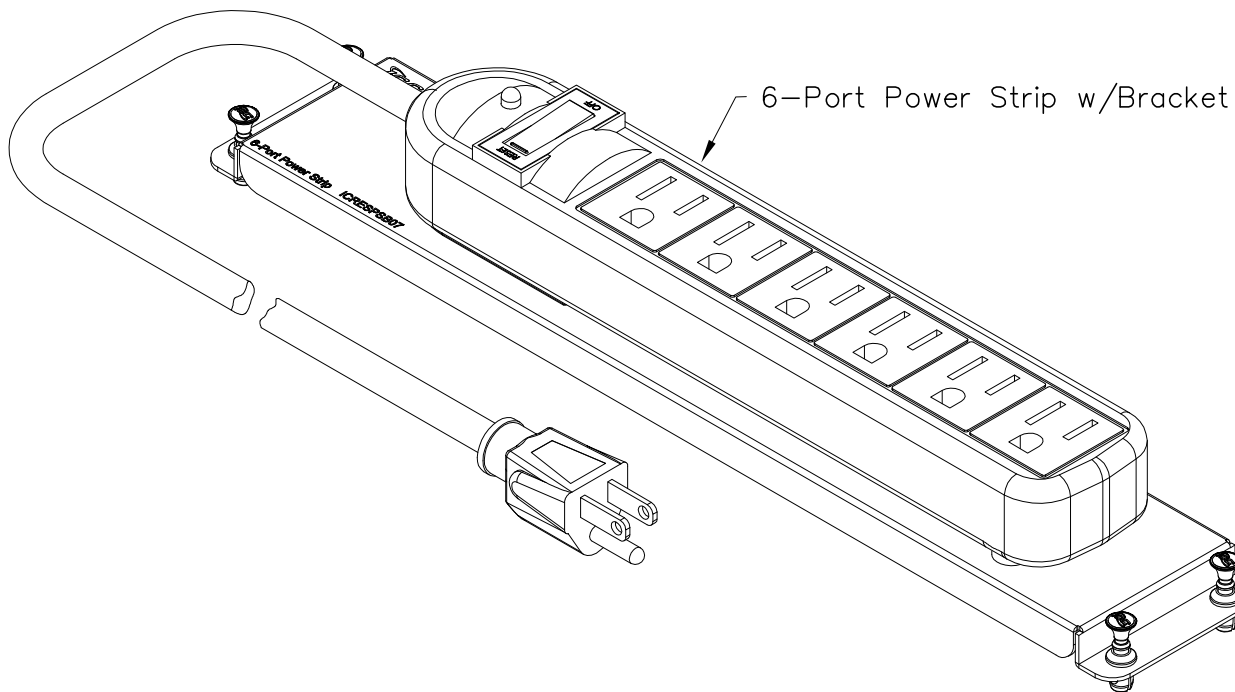


# 6-Port Power Strip w/Bracket

## PRODUCT SPECIFICATION

### Package includes:

- A. 6-Port Power Strip, 1 pc
- B. Bracket, 1 pc
- C. Fasteners, 4 pcs



### Features and Benefits:

- High quality durable steel bracket for long lasting use.
- Power strip includes one line surge suppressor and intergrated circuit breaker.
- Supplies power for up to 6 separate devices.
- Compatible with ICC's Net.Media Centers ICRESDCXXE.
- Easy to install

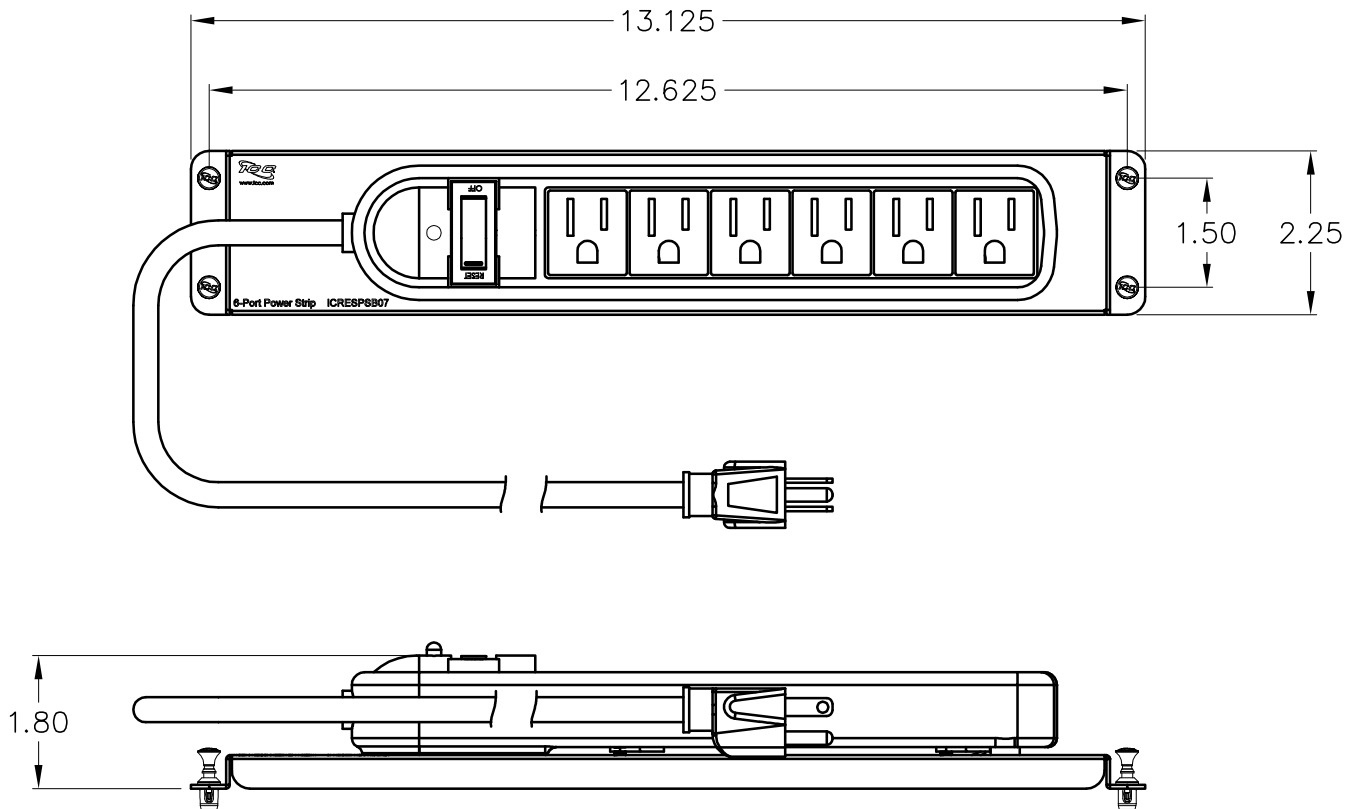
### RESI, POWER STRIP BRACKET, 6-PORT

ITEM NO. ICRESPSB07  
DWG NO. ICRESPSB07

REV. B  
PAGE NO. 1



CUSTOMER CARE / TECHNICAL SUPPORT \* CSR@ICC.COM / 888-ASK-4-ICC (275-4422) \* 14700 Alondra Blvd., La Mirada, CA 90638 \* www.icc.com



**NOTE: UNLESS OTHERWISE SPECIFIED**

1. BRACKET:

- A. MATERIAL: 18GA CRS
- B. FINISH: WHITE POWDER COAT

2. POWER STRIP:

- A. MATERIAL: ABS
- B. COLOR: BEIGE

3. ELECTRICAL:

- A. RATING: 125V, 60Hz, 15A, 1875W
- B. JOULES: 150J
- C. MAX. PEAK PULSE CURRENT: 6500W
- D. MAX. SURGE CLAMPING VOLTAGE: 330V
- E. MAX. SURGE PULSE VOLTAGE: 6000V
- F. RESPONSE TIME: FASTER THAN 1 NANOSECOND
- G. OVERLOAD PROTECTION: 125V 15A CIRCUIT BREAKER
- H. CORD: 14AWG X 3, 3FT

**RESI, POWER STRIP BRACKET, 6-PORT**

ITEM NO. ICRESPSB07  
 DWG NO. ICRESPSB07

REV. B  
 PAGE NO. 2



CUSTOMER CARE / TECHNICAL SUPPORT \* CSR@ICC.COM / 888-ASK-4-ICC (275-4422) \* 14700 Alondra Blvd., La Mirada, CA 90638 \* www.icc.com