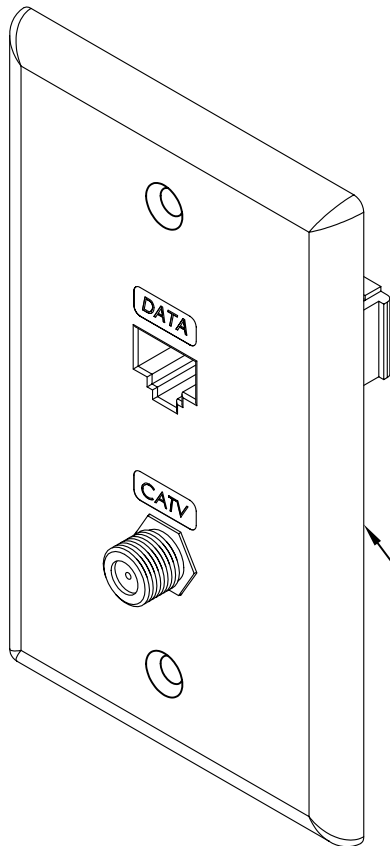


# Data & F-Type Integrated Faceplate

## PRODUCT SPECIFICATION




### Package includes:

- A. Data & F-Type Integrated Faceplate, 1 pc
- B. IDC Cap, 2 pcs
- C. #6-32 x 3/4" Oval Head, Countersink Machine Screw, 2 pcs
- D. Installation Instructions, 1 sheet

— Data & F-Type Integrated Faceplate

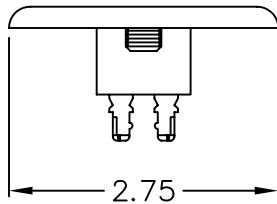
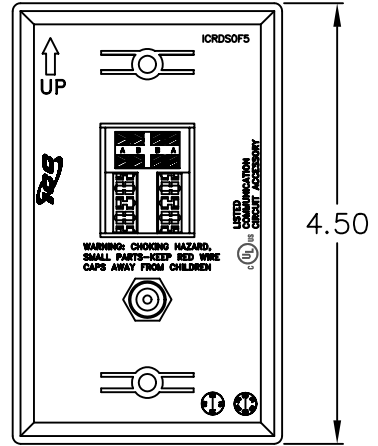
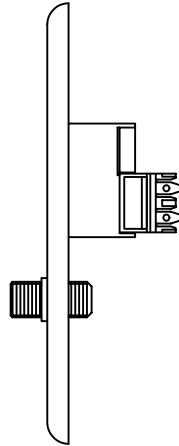
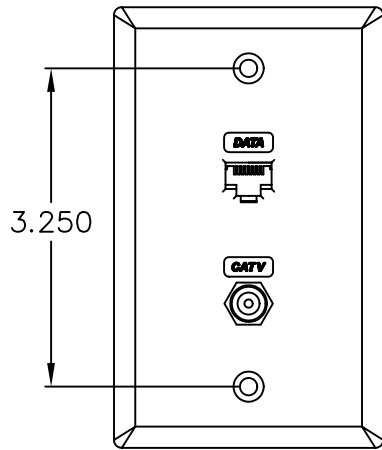
### Features and Benefits:

- Provides an integrated one-piece solution for CAT 5e data, audio, and video applications
- IDC (insulation displacement connection) contacts are designed for repeated 110 termination providing long lasting performance and reliability
- Gold plated F-Type connector for improved performance with superior signal quality with minimal noise
- Quick and easy installation with integrated color coded wiring diagrams requiring no additional assembly
- Embossed port labels to eliminate the need for additional labeling or identification creating a cleaner appearance
- Rugged and durable construction
- Includes IDC caps to ensure the terminated wiring is secure
- Available in almond, ivory, and white
- Installation Instructions #MSR-0366 included
- UL listed

<b>FACEPLATE, IDC, DATA &amp; F-TYPE</b>			
ITEM NO.	ICRDS0F5XX	REV.	A
DWG NO.	PSRDS0F500	PAGE NO.	1

Premium Products  
Proven Performance  
Competitive Prices

CUSTOMER CARE / TECHNICAL SUPPORT \* CSR@ICC.COM / 888-ASK-4-ICC (275-4422) \* 14700 Alondra Blvd., La Mirada, CA 90638 \* www.icc.com



**NOTE: UNLESS OTHERWISE SPECIFIED**

1. MATERIAL: ABS, UL 94V-0
2. FINISH: TEXTURE
3. COLOR: XX: AL-ALMOND, IV-IVORY, & WH-WHITE

UL US FILE NO. 125268

<b>FACEPLATE, IDC, DATA &amp; F-TYPE</b>			
ITEM NO.	ICRDS0F5XX		REV. A
DWG NO.	PSRDS0F500		PAGE NO. 2

CUSTOMER CARE / TECHNICAL SUPPORT \* CSR@ICC.COM / 888-ASK-4-ICC (275-4422) \* 14700 Alondra Blvd., La Mirada, CA 90638 \* www.icc.com