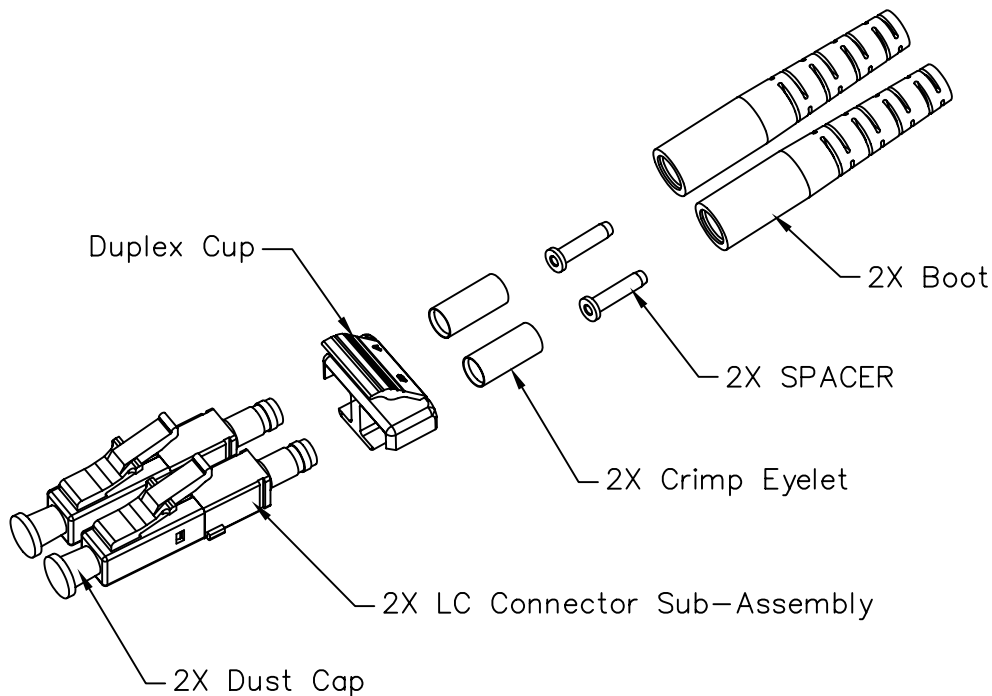


Multimode Duplex LC Fiber Optic Connector

PRODUCT SPECIFICATION

Package includes:

- A. LC Connector Sub-Assembly, 2 pcs
- B. Duplex cup, 1 pc
- C. Crimp Eyelet, 2 pcs
- D. Ring, 2 pcs
- E. Boot, 2 pcs
- F. Dust Cap, 2 pcs



Features and Benefits:

- Viable solution for high speed data transmission and broadband internet
- High performance with minimal insertion loss
- Easy to use field configurable epoxy type connector
- Designed for superior mating with any LC adapters
- Comes complete with a strain relief boot offering a wide range of multi-media applications
- Can be separated to form two simplex LC connectors

CONNECTOR, DUPLEX LC, MM, 62.5/125 μ m

ITEM NO. ICFOC9M602

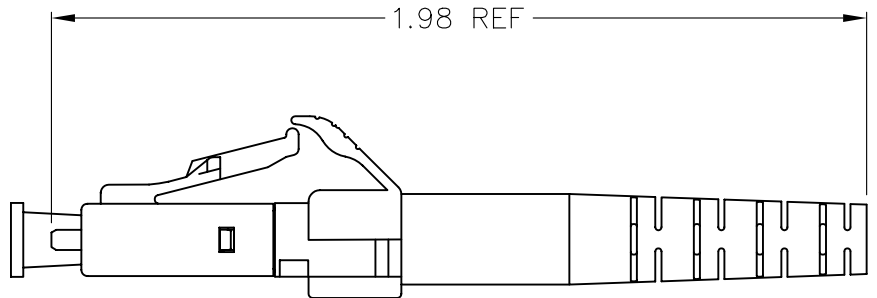
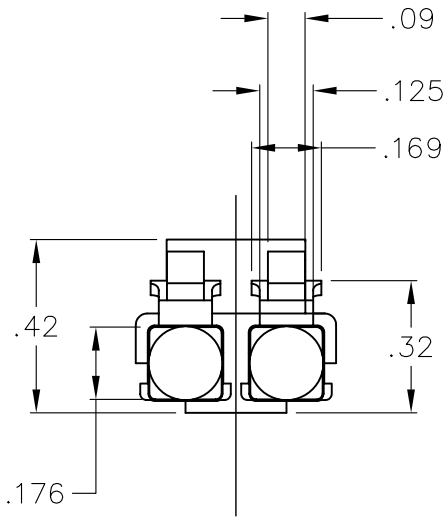
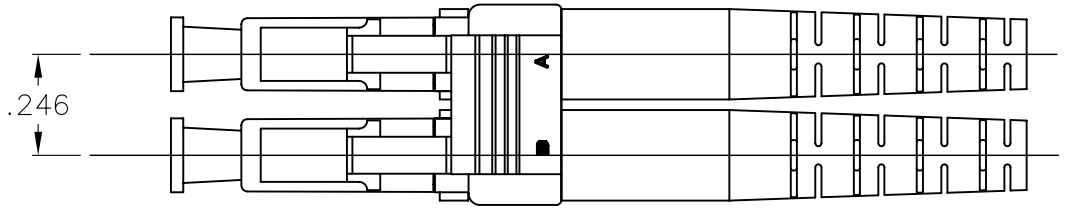
REV. A

DWG NO. PSFOC9M602

PAGE NO. 1




CUSTOMER CARE / TECHNICAL SUPPORT * CSR@ICC.COM / 888-ASK-4-ICC (275-4422) * 14700 Alondra Blvd., La Mirada, CA 90638 * www.icc.com



NOTE: UNLESS OTHERWISE SPECIFIED

1. MATERIAL:

- A. LC CONNECTOR SUB-ASSEMBLY:
 - FERRULE: CERAMIC & BRASS, NICKED PLATED
 - PTFE TUBE: PLASTIC
 - SPRING: STAINLESS STEEL
 - STOPPER: PLASTIC
 - HOUSING: PLASTIC
- B. DUPLEX CLIP: PLASTIC
- C. CRIMP EYELET: ALUMINUM & PLASTIC
- D. SPACER: BRASS & NICKEL PLATED
- E. BOOT: PLASTIC
- F. DUST CAP: PLASTIC

CONNECTOR, DUPLEX LC, MM, 62.5/125µm			
ITEM NO.	ICFOC9M602		REV. A
DWG NO.	PSFOC9M602	PAGE NO.	2

CUSTOMER CARE / TECHNICAL SUPPORT * CSR@ICC.COM / 888-ASK-4-ICC (275-4422) * 14700 Alondra Blvd., La Mirada, CA 90638 * www.icc.com