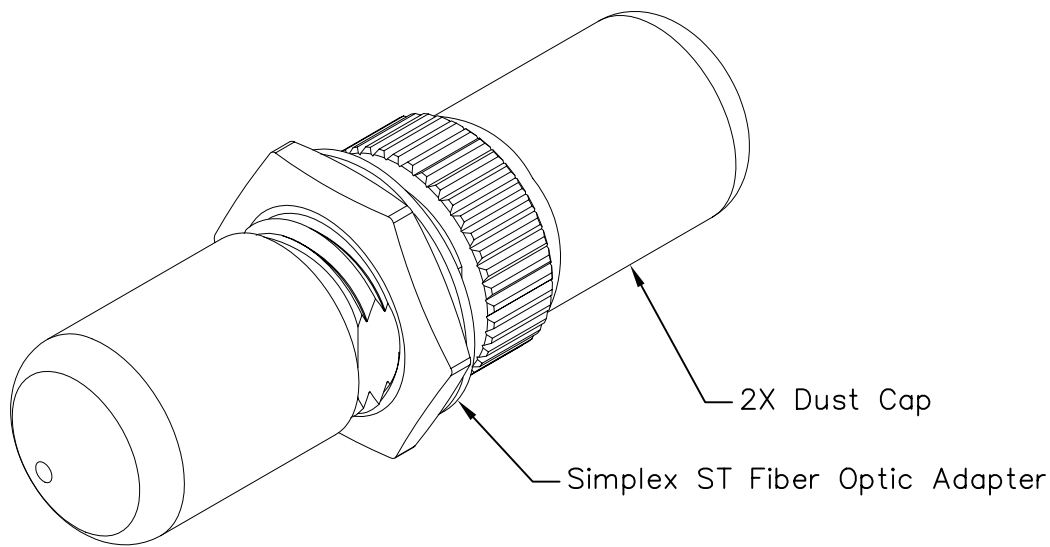


Simplex ST Fiber Optic Adapter (Ceramic Sleeve)

PRODUCT SPECIFICATION


Package includes:

- A. Simplex ST Fiber Optic Adapter, 1 pc
- B. Dust Cap, 2 pcs

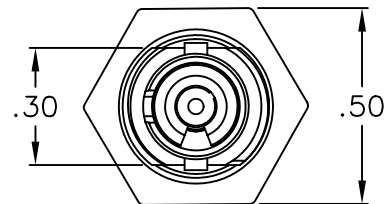
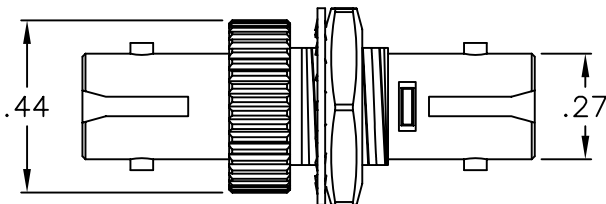
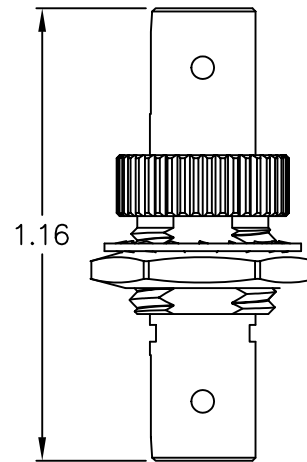


Features and Benefits:

- Viable solution for high speed data transmission and broadband internet
- Designed to allow customization of ICFOPT26BK/ICFOPT28BK ST adapter panel and ICFORPPAT2 ST patch panel

ADAPTER, SIMPLEX ST, CERAMIC		 <i>PremiumProducts</i> <i>ProvenPerformance</i> <i>CompetitivePrices</i>	
ITEM NO.	ICFOA7SM01	REV.	A
DWG NO.	PSFOA7SM01	PAGE NO.	1

CUSTOMER CARE / TECHNICAL SUPPORT * CSR@ICC.COM / 888-ASK-4-ICC (275-4422) * 14700 Alondra Blvd., La Mirada, CA 90638 * www.icc.com




NOTE: UNLESS OTHERWISE SPECIFIED

1. MATERIAL:

- A. ADAPTER BODY: NICKEL PLATED ZINC ALLOY
- B. SLEEVE: ZIRCONIA
- C. NUT & WASHER: NICKEL PLATED STEEL
- D. DUST CAP: RUBBER

2. COLOR:

- A. DUST CAP: YELLOW

ADAPTER, SIMPLEX ST, CERAMIC		 <i>PremiumProducts</i> <i>ProvenPerformance</i> <i>CompetitivePrices</i>	
ITEM NO.	ICFOA7SM01		REV. A
DWG NO.	PSFOA7SM01		PAGE NO. 2

CUSTOMER CARE / TECHNICAL SUPPORT * CSR@ICC.COM / 888-ASK-4-ICC (275-4422) * 14700 Alondra Blvd., La Mirada, CA 90638 * www.icc.com