

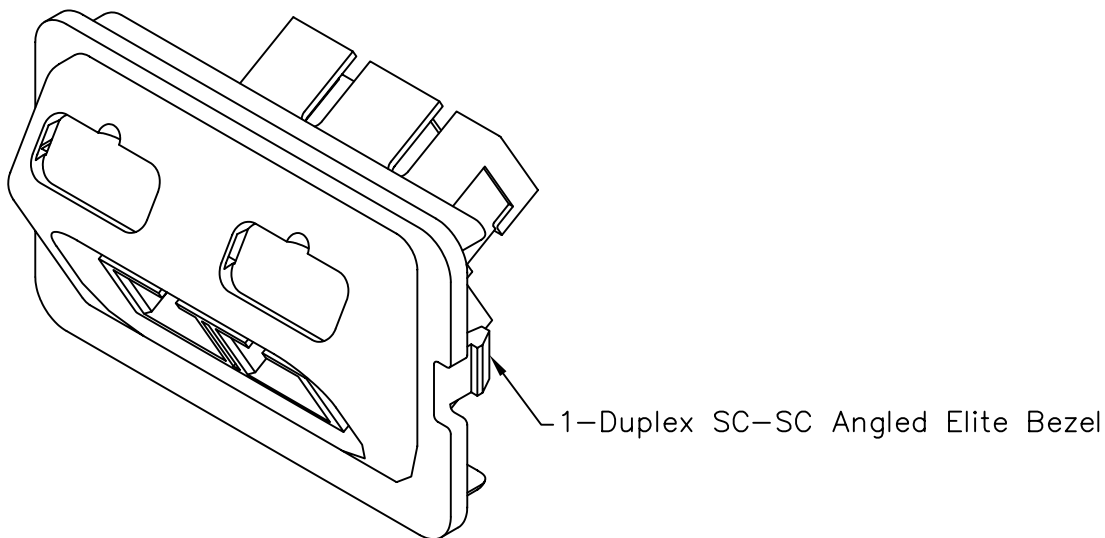


1-Duplex SC-SC Angled Elite Bezel

PRODUCT SPECIFICATION


Package includes:

- A. 1-Duplex SC-SC Angled Elite Bezel, 1 pc
- B. Dust Cap, 4 pcs
- C.  /  Icon, 2 pcs

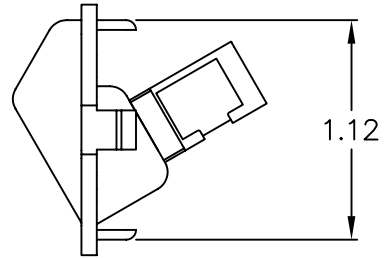
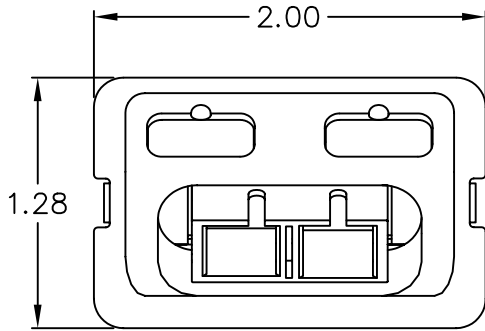
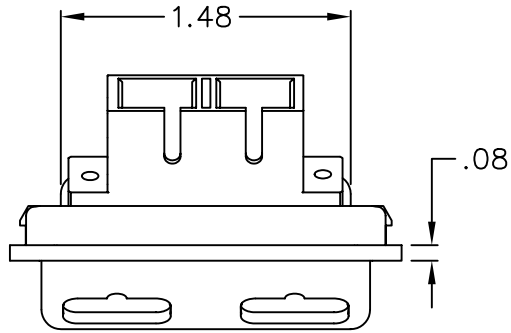


Features and Benefits:

- Provides a flexible solution for fiber work area connectivity
- Angled design provides low profile connectivity and bend radius capability
- Provides for proper routing of two fiber connections in tight areas
- Rugged and durable construction
- Easy system administration with use of enclosed icons
- Compatible with all IC108 faceplates, multi-media boxes/outlets, Euro style box, and blank patch panels
- Available in ivory and white
- UL listed

BEZEL, ELITE, ANGLED, 1-DUPLEX SC-SC			
ITEM NO.	IC108BACXX	REV.	B
DWG NO.	PS108BAC00	PAGE NO.	1

CUSTOMER CARE / TECHNICAL SUPPORT * CSR@ICC.COM / 888-ASK-4-ICC (275-4422) * 14700 Alondra Blvd., La Mirada, CA 90638 * www.icc.com



NOTE: UNLESS OTHERWISE SPECIFIED


1. HOUSING:

- A. MATERIAL: ABS, UL 94V-0
- B. SURFACE FINISHING: TEXTURE
- C. COLOR: XX: IV-IVORY & WH-WHITE

2. DUPLEX SC-SC ADAPTER:

- A. MATERIAL:
 - ADAPTER BODY: PLASTIC
 - SLEEVE: PHOSPHOR BRONZE
 - HOLDER: STAINLESS STEEL
 - DUST CAP: PLASTIC

UL US FILE NO. 125268

BEZEL, ELITE, ANGLED, 1-DUPLEX SC-SC			
ITEM NO.	IC108BACXX		REV. B
DWG NO.	PS108BAC00		PAGE NO. 2

CUSTOMER CARE / TECHNICAL SUPPORT * CSR@ICC.COM / 888-ASK-4-ICC (275-4422) * 14700 Alondra Blvd., La Mirada, CA 90638 * www.icc.com