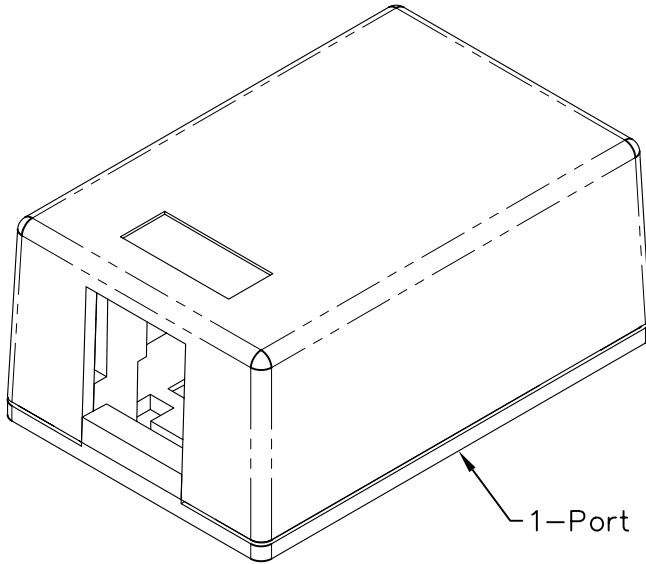


# 1-Port Surface Mount Box

## PRODUCT SPECIFICATION

### Package includes:


- A. Surface Mount Box Cover, 1 pc
- B. Surface Mount Box Base, 1 pc
- C. Double Sided Adhesive Strip, 1 pc
- D. #6 x 3/4" Pan Head, Sharp Point Tapping Screw, 2 pcs
- E. Installation Instructions, 1 sheet



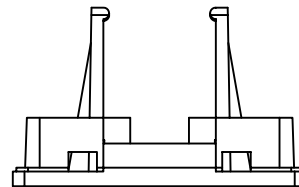
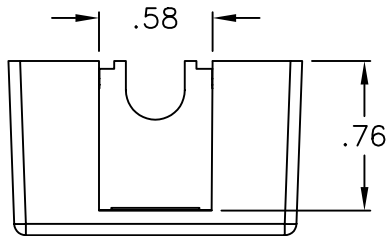
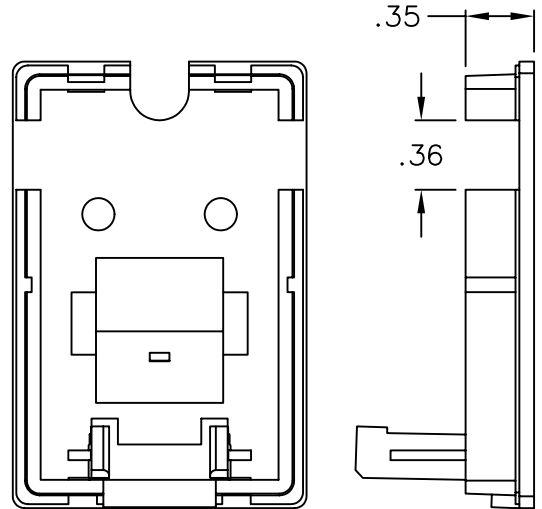
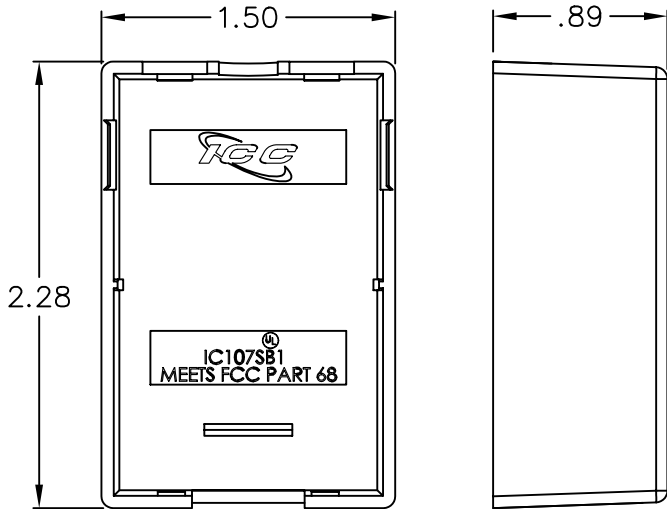
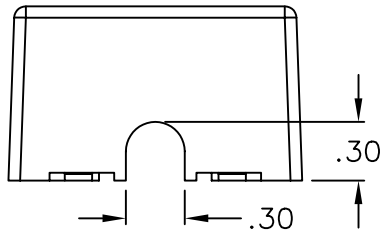
1-Port Surface Mount Box

### Features and Benefits:

- Provides a clean modular surface mount outlet solution of voice, data, and other communication needs to the work area for commercial or residential applications
- Multiple mounting options including adhesive backing, screws, and magnets
- Recessed area for ID label
- Rugged and durable construction
- Accommodates a wide variety of easy to snap-in modules, providing configuration flexibility
- Accepts all IC107 modules
- Available in gray, ivory, and white
- Installation instructions #MSR-0408 included
- UL listed

<b>SURFACE MOUNT BOX, 1-PORT</b>		 <i>PremiumProducts</i> <i>ProvenPerformance</i> <i>CompetitivePrices</i>	
ITEM NO.	IC107SB1XX		REV. A
DWG NO.	PS107SB100		PAGE NO. 1

CUSTOMER CARE / TECHNICAL SUPPORT \* CSR@ICC.COM / 888-ASK-4-ICC (275-4422) \* 14700 Alondra Blvd., La Mirada, CA 90638 \* www.icc.com




**COVER**

**BASE**

**NOTE: UNLESS OTHERWISE SPECIFIED**

1. MATERIAL: ABS, UL 94V-0
2. COLOR: XX: GY-GRAY, IV-IVORY, & WH-WHITE

UL US FILE NO. 125268

<b>SURFACE MOUNT BOX, 1-PORT</b>		 <i>PremiumProducts</i> <i>ProvenPerformance</i> <i>CompetitivePrices</i>	
ITEM NO.	IC107SB1XX		REV. A
DWG NO.	PS107SB100		PAGE NO. 2

CUSTOMER CARE / TECHNICAL SUPPORT \* CSR@ICC.COM / 888-ASK-4-ICC (275-4422) \* 14700 Alondra Blvd., La Mirada, CA 90638 \* www.icc.com