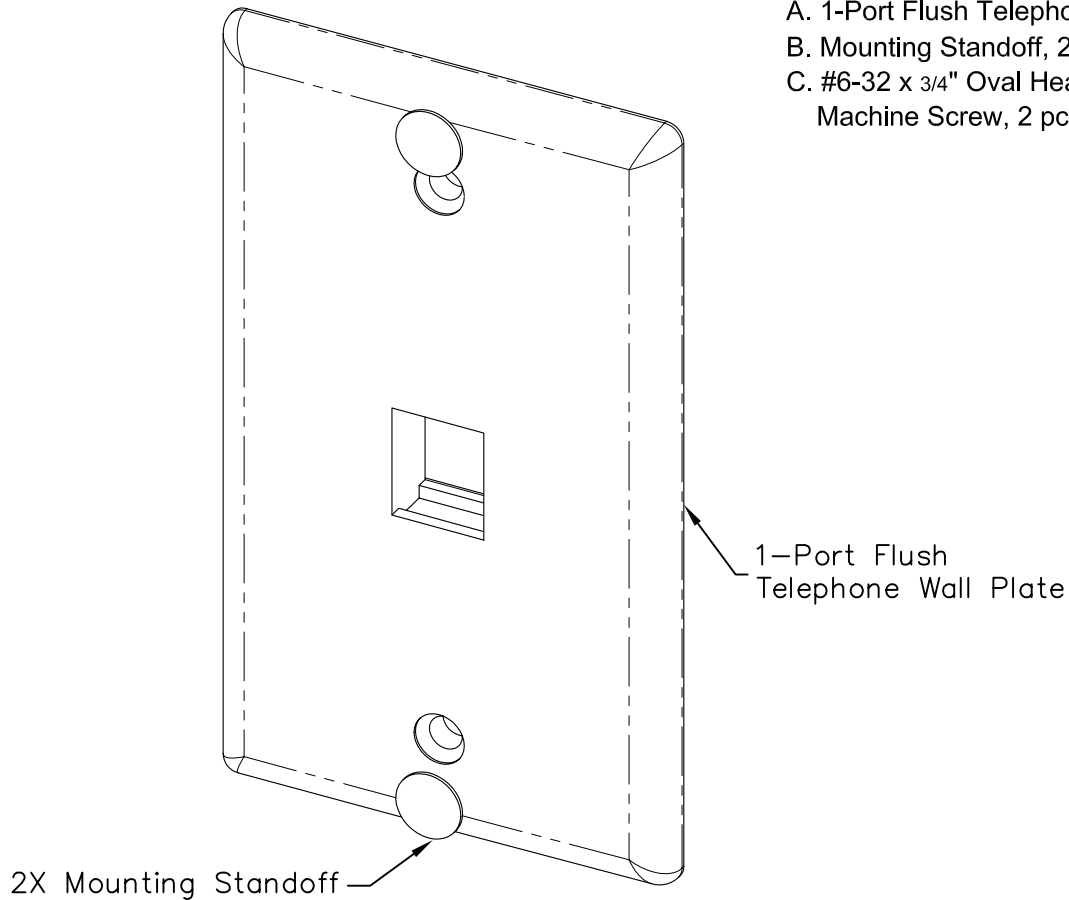


# 1-Port Flush Telephone Wall Plate

## PRODUCT SPECIFICATION


### Package includes:

- A. 1-Port Flush Telephone Wall Plate, 1 pc
- B. Mounting Standoff, 2 pcs
- C. #6-32 x 3/4" Oval Head, Countersink Machine Screw, 2 pcs

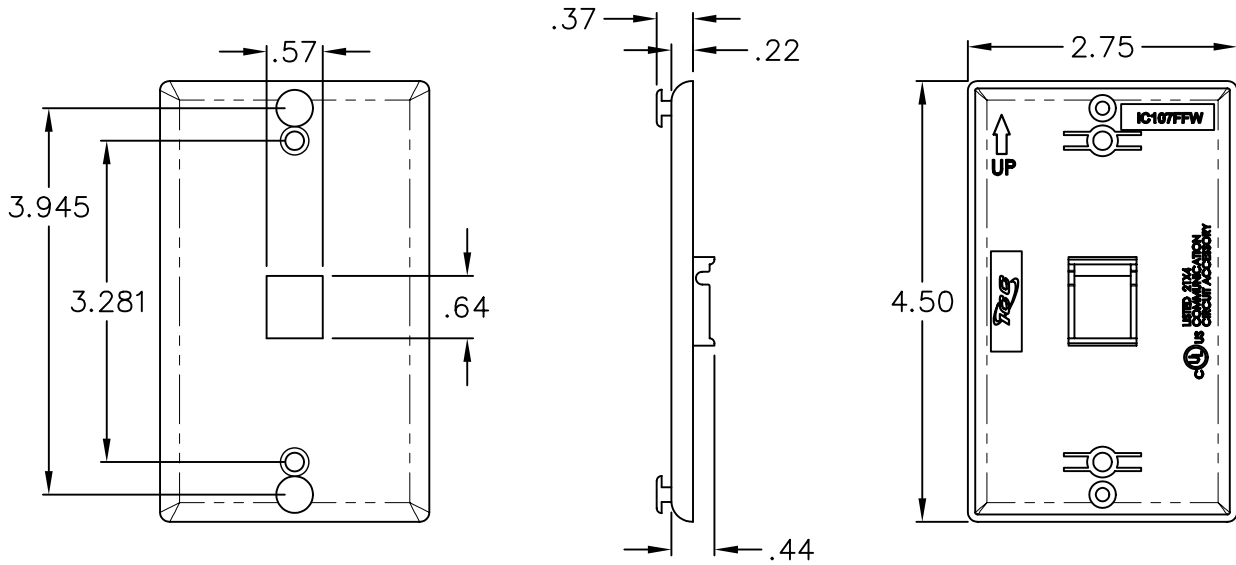


### Features and Benefits:

- Configured to fit standard single gang outlet box
- Designed for commercial or residential applications
- Rugged and durable construction
- Provided with two mounting standoffs for wall mount telephone
- Offers a flush face surface
- Accommodates a wide variety of easy to snap-in modules, providing configuration flexibility
- Accepts all IC107 modules
- Available in almond, black, ivory, and white
- UL listed

<b>WALL PLATE, PHONE, FLUSH, 1-PORT</b>					
ITEM NO.	IC107FFWXX			REV.	A
DWG NO.	PS107FFW00			PAGE NO.	1


CUSTOMER CARE / TECHNICAL SUPPORT \* CSR@ICC.COM / 888-ASK-4-ICC (275-4422) \* 14700 Alondra Blvd., La Mirada, CA 90638 \* www.icc.com



**NOTE: UNLESS OTHERWISE SPECIFIED**

1. MATERIAL: ABS, UL 94V-0
2. FINISH: TEXTURE
3. COLOR: XX: AL-ALMOND, BK-BLACK, IV-IVORY, & WH-WHITE

UL US FILE NO. 125268

<b>WALL PLATE, PHONE, FLUSH, 1-PORT</b>		 <b>PremiumProducts</b> <i>ProvenPerformance</i> <i>CompetitivePrices</i>	
ITEM NO.	IC107FFWXX		REV. A
DWG NO.	PS107FFW00	PAGE NO.	2

CUSTOMER CARE / TECHNICAL SUPPORT \* CSR@ICC.COM / 888-ASK-4-ICC (275-4422) \* 14700 Alondra Blvd., La Mirada, CA 90638 \* www.icc.com