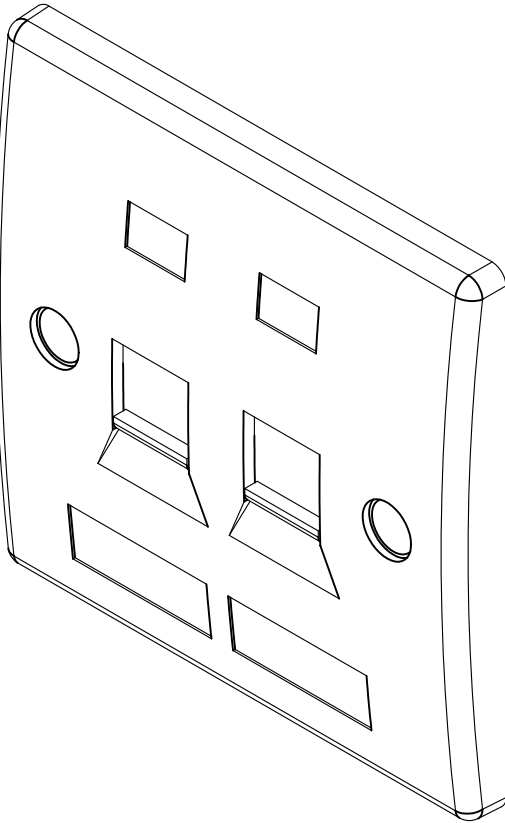


2-Port International Faceplate

PRODUCT SPECIFICATION

Package includes:

- A. 2-Port International Faceplate, 1 pc
- B. Screw Head Cap, 2 pcs
- C. #6-32 x 7/8" Pan Head Machine Screw, 2 pcs



2-Port International Faceplate

Features and Benefits:

- Designed to support the distribution of voice, data, and other communication needs to the work area for commercial or residential applications
- Rugged and durable construction
- Designed with spring loaded shutters/covers to prevent dust and particulates
- Recessed areas above and below the shutter ports are available for printed icons and labels
- Accommodates a wide variety of easy to snap-in modules, providing configuration flexibility
- Accepts all IC107 modules
- Available in white
- UL listed

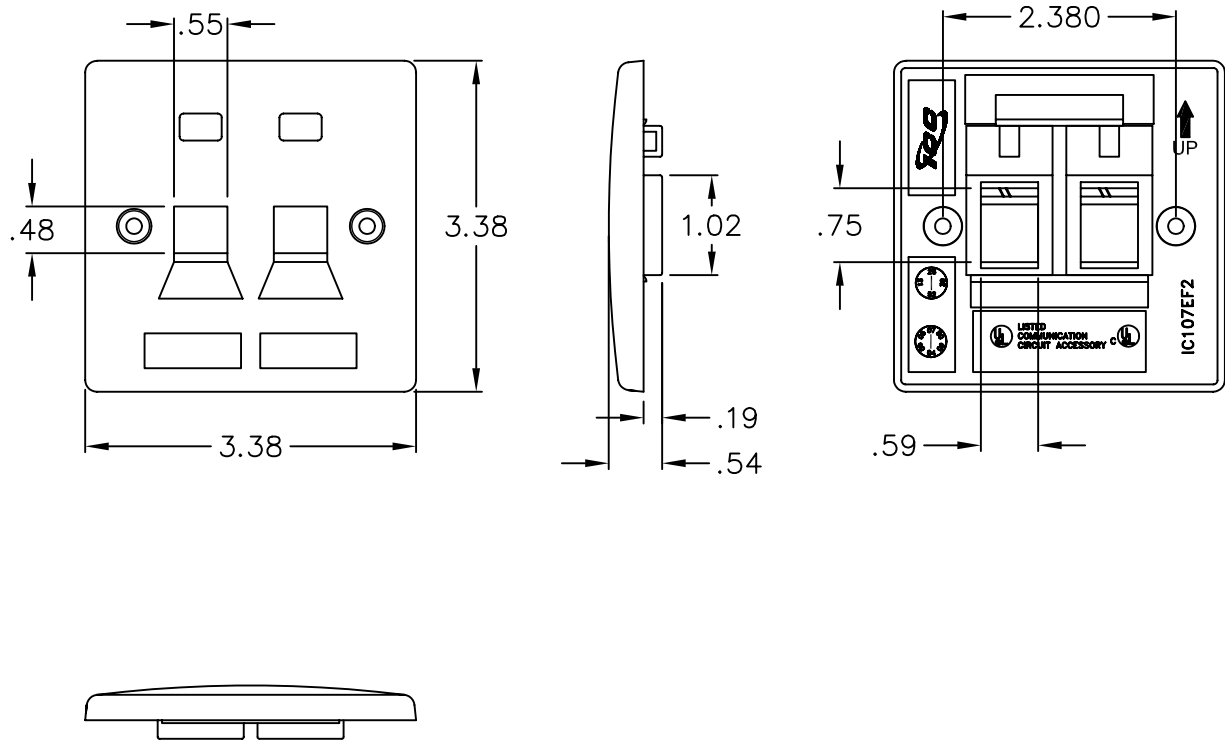
FACEPLATE, INTERNATIONAL, 2-PORT

ITEM NO.	IC107EF2XX
DWG NO.	PS107EF200

REV.	A
PAGE NO.	1




CUSTOMER CARE / TECHNICAL SUPPORT * CSR@ICC.COM / 888-ASK-4-ICC (275-4422) * 14700 Alondra Blvd., La Mirada, CA 90638 * www.icc.com



NOTE: UNLESS OTHERWISE SPECIFIED

1. MATERIAL: ABS, UL 94V-0
2. FINISH: TEXTURE
3. COLOR: XX: WH-WHITE

UL US FILE NO. 125268

FACEPLATE, INTERNATIONAL, 2-PORT		 PremiumProducts <i>ProvenPerformance</i> <i>CompetitivePrices</i>	
ITEM NO.	IC107EF2XX		REV. A
DWG NO.	PS107EF200	PAGE NO.	2

CUSTOMER CARE / TECHNICAL SUPPORT * CSR@ICC.COM / 888-ASK-4-ICC (275-4422) * 14700 Alondra Blvd., La Mirada, CA 90638 * www.icc.com