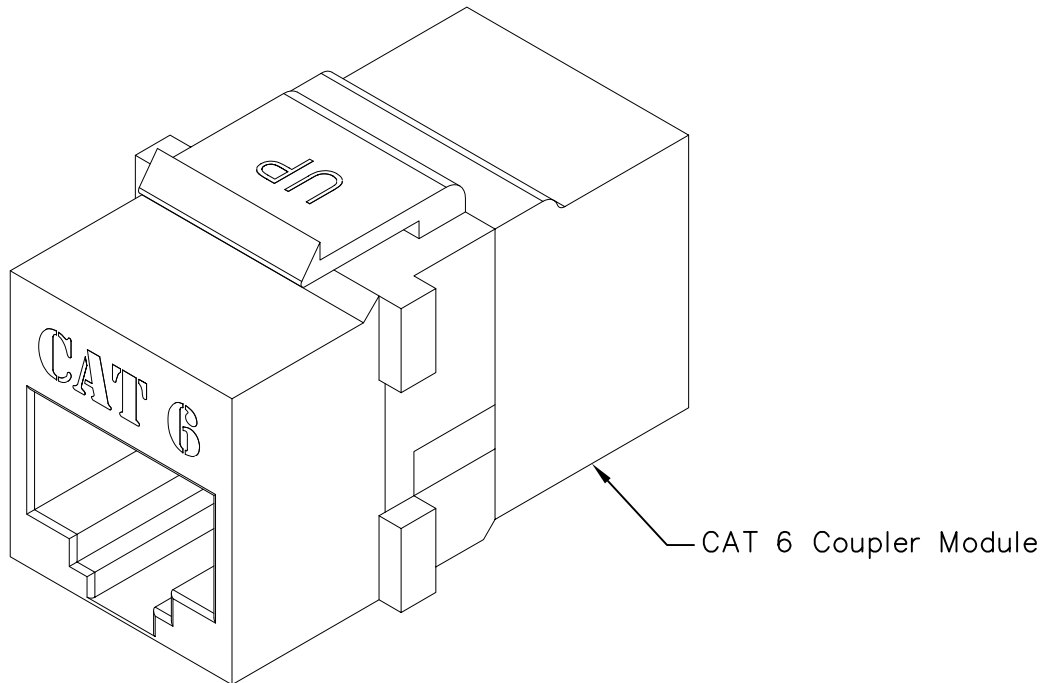


# 8P8C Category 6 Coupler Module

## PRODUCT SPECIFICATION

### Package includes:

A. 8P8C Category 6 Coupler Module, 1 pc



### Features and Benefits:

- PCB technology provides maximum performance and superior signal quality
- Enhanced crosstalk cancellation reduces return loss and improves performance by rejecting noise and unwanted signals
- Reduced rear footprint allows for greater connectivity density and provides for more port configurations in a smaller area
- Backwards compatible to all lower rated category components
- Compatible with all IC107 faceplates, inserts, surface mount boxes, and blank patch panels
- Compatible with all IC108 furniture faceplates, bezels, and surface mount boxes
- Used with ICC Category 6 ICPCS6 patch cords
- Available in black
- UL listed

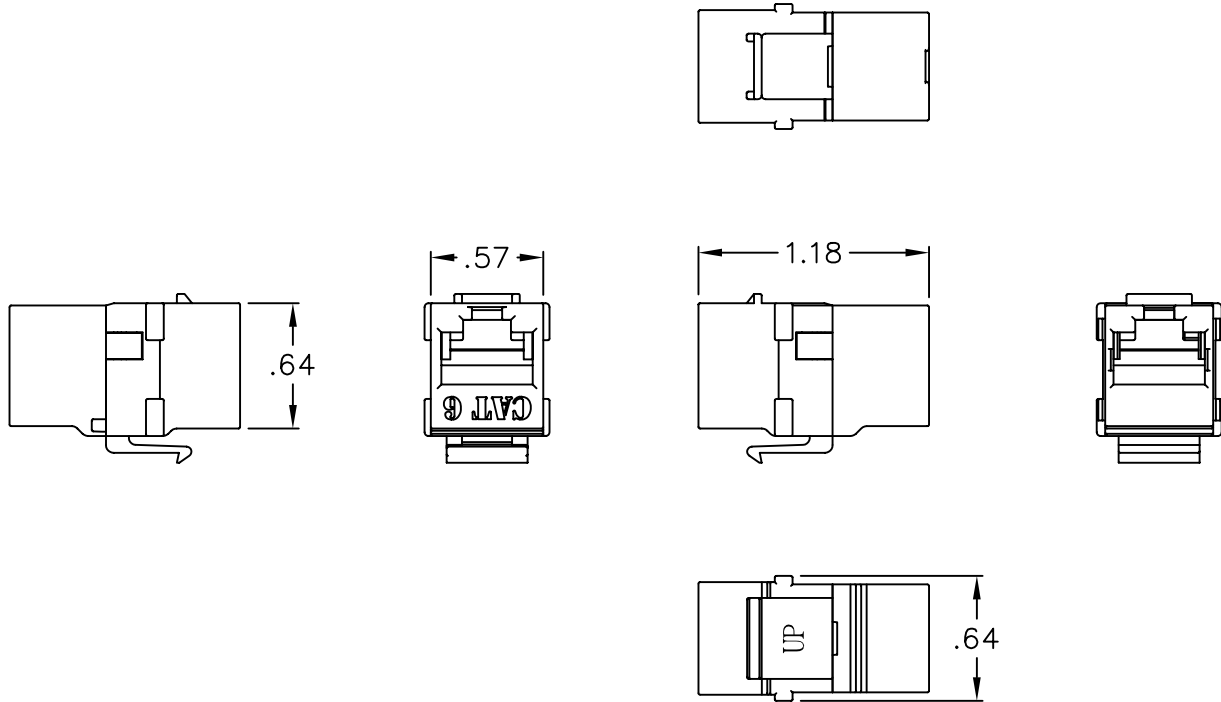
### MODULE, COUPLER, CAT 6, BLACK

ITEM NO. IC107CP6BK  
DWG NO. PS107CP600

REV. B  
PAGE NO. 1



CUSTOMER CARE / TECHNICAL SUPPORT \* CSR@ICC.COM / 888-ASK-4-ICC (275-4422) \* 14700 Alondra Blvd., La Mirada, CA 90638 \* www.icc.com



**NOTE: UNLESS OTHERWISE SPECIFIED**

**1. ELECTRICAL:**

- A. ELECTRICAL INSULATION RESISTANCE: 500 MEGAOHMS MIN @ 100V D.C.
- B. DIELECTRIC WITHSTANDING VOLTAGE: 1,000 VOLTS D.C., 60 HZ, 1 MIN
- C. CONTACT RESISTANCE: 20 MILLIOHM MAX

**2. MECHANICAL:**

- A. TOTAL CONTACT FORCE: 800 GRAM FOR 8 WIRE LEADS MINIMUM
- B. RETENTION: 50N (11 LBF) FOR 60S±5S BETWEEN JACK AND PLUG
- C. INSERTION/EXTRACTION LIFE: 750 CYCLES MIN

**3. PHYSICAL:**

- A. HOUSING: ABS, UL 94V-0
- B. COLOR: BLACK
- C. SPRING WIRE: PHOSPHOR BRONZE ALLOY PLATED WITH 50 MICRO-INCH OF GOLD OVER 70-100 MICRO-INCH OF NICKEL

WIRING DIAGRAM	
PIN	PIN
1	1
2	2
3	3
4	4
5	5
6	6
7	7
8	8

UL US FILE NO. 125268

**MODULE, COUPLER, CAT 6, BLACK**

ITEM NO.	IC107CP6BK	REV.	B	
DWG NO.	PS107CP600	PAGE NO.	2	

CUSTOMER CARE / TECHNICAL SUPPORT \* CSR@ICC.COM / 888-ASK-4-ICC (275-4422) \* 14700 Alondra Blvd., La Mirada, CA 90638 \* www.icc.com