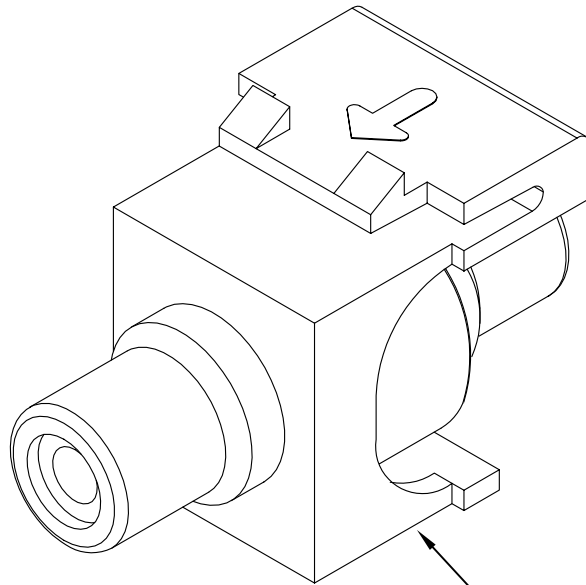


RCA Female-to-Female Module

PRODUCT SPECIFICATION

Package includes:

A. RCA Female-to-Female Module, 1 pc



RCA Female-to-Female Module

Features and Benefits:

- Gold plating for improved performance with superior signal quality with minimal noise
- Used for audio and video applications
- Colored insulators providing for quick and easy identification of the type of signal carried on the circuit, making it easy to separate audio and video signals
- Available with black, blue, green, red, white, and yellow insulators
- Provides a clean and neat appearance installation
- Compatible with all IC107 faceplates, inserts, surface mount boxes, and blank patch panels
- Compatible with all IC108 furniture faceplates, bezels, and surface mount boxes
- Housing color available in almond, black, ivory, and white

MODULE, RCA FEMALE

ITEM NO. IC107Z6GXX

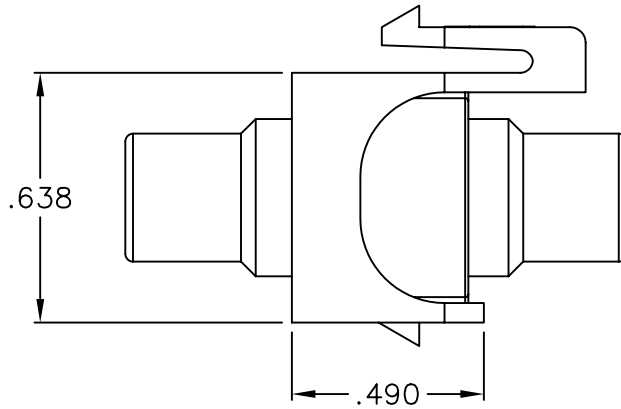
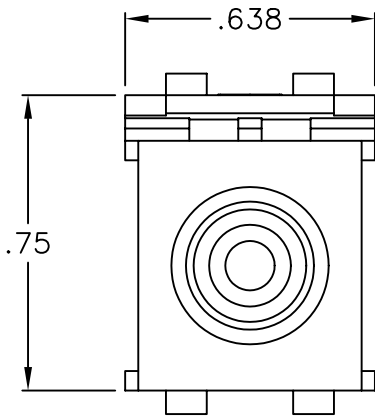
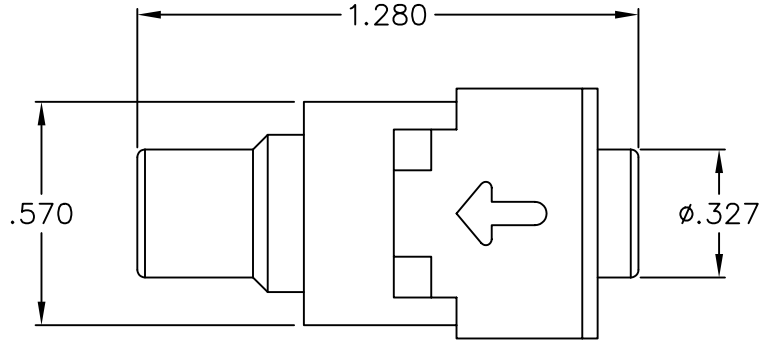
REV. B

DWG NO. PS10706G00

PAGE NO. 1



CUSTOMER CARE / TECHNICAL SUPPORT * CSR@ICC.COM / 888-ASK-4-ICC (275-4422) * 14700 Alondra Blvd., LaMirada, CA 90638 * www.icc.com



NOTE: UNLESS OTHERWISE SPECIFIED

1. HOUSING:

- A. MATERIAL: ABS, UL 94V-0
- B. COLOR: XX: AL-ALMOND, BK-BLACK, IV-IVORY, & WH-WHITE


2. RCA FEMALE-TO-FEMALE CONNECTOR:

- A. MATERIAL: BRASS WITH FLASH GOLD PLATING
- B. INSULATOR COLOR: Z: B-WHITE, G-GREEN, K-BLACK, L-BLUE, R-RED, & Y-YELLOW

3. ELECTRICAL:

- A. CONTACT RESISTANCE: 30m OHM MAX
- B. INSULATION RESISTANCE: 100M OHM MIN @ DC 500V
- C. DIELECTRIC STRENGTH: AC 500V FOR ONE MINUTE

MODULE, RCA FEMALE

ITEM NO.	IC107Z6GXX	REV.	B	
DWG NO.	PS10706G00	PAGE NO.	2	

CUSTOMER CARE / TECHNICAL SUPPORT * CSR@ICC.COM / 888-ASK-4-ICC (275-4422) * 14700 Alondra Blvd., LaMirada, CA 90638 * www.icc.com