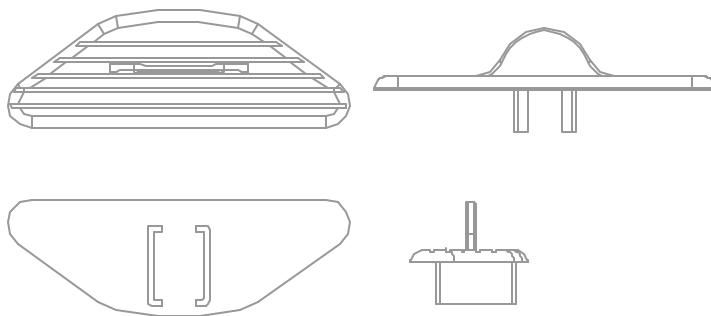


Top

Bottom  
Device

Back

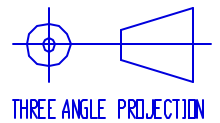
Front



Cap



Top, Bottom, Back, & Front



SIZE Ltr	DWG UNITS Undefined	DWG/PART NO. GXSF-103	REV 1.0
CHECKED		APPROVED	
SCALE	DATE 30-Sep-2002	SHEET	Page 1