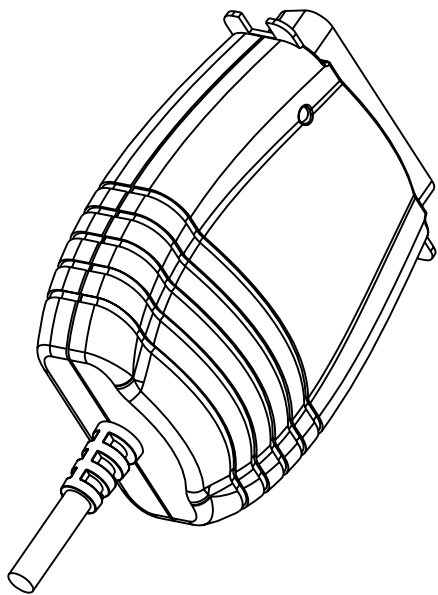
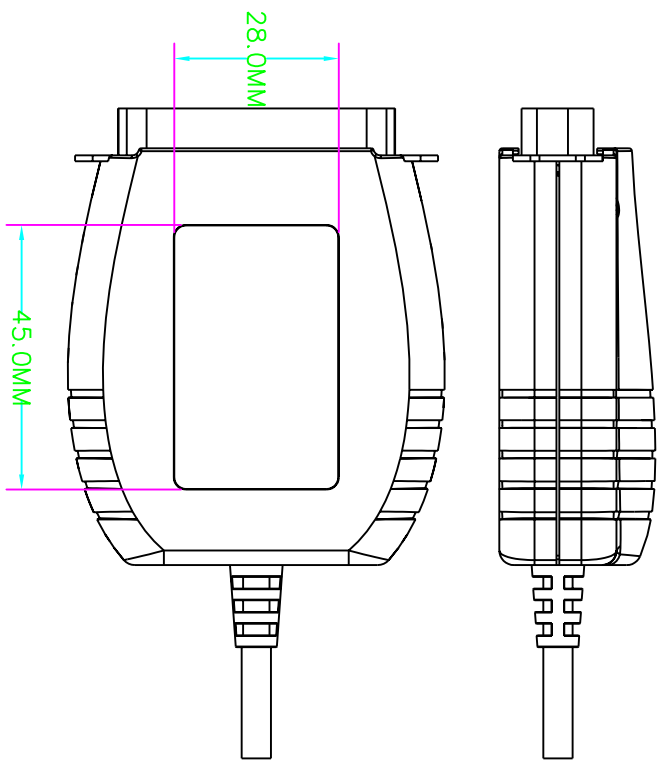
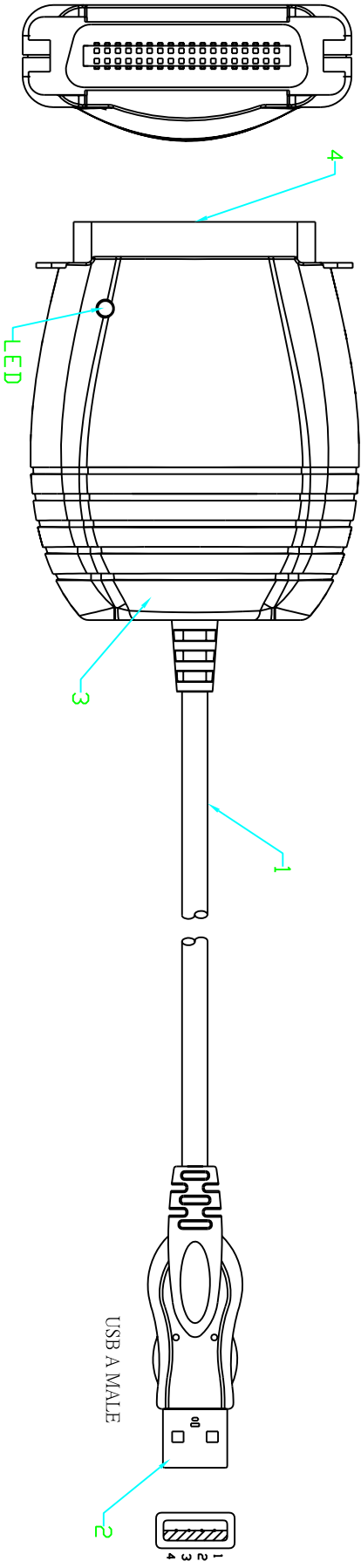


REVISIONS		
REV	DESCRIPTION	APPROVED



NO	PART	NAMES	QTY	REMARK
4	CONNECTOR:USB A MALE		1PCS	
3	ABS(Include PCB)		1SET	
2	CONNECTOR:USB A MALE		1PCS	
1	CABLE:128AWG (70/12)*1P+24AWG(70/203)*2C]		1PCS	

 ComputerCableStore Discount Computer Cables and Connectivity Solutions		PRODUCT CUS,ND DR,ND	CUSTOMER VERSION DRAWN DATE	JDI 1 Jan.25.2002	DRAWN CHECKED APPROVERD	D. J Jackson Cang <i>Eric Yee</i>	THREE ANGLE PROJECTION
USB-100 SDUSP-100		USB-100 SDUSP-100	JDI 1 Jan.25.2002	D. J Jackson Cang <i>Eric Yee</i>			