

Wall Mount Enclosures

WM Series Wall Mount/Swing Out Enclosures provide 19" 310-D compliant mounting in a distribution enclosure. A simple finger "push-pull" type catch located inside the cabinet opens the 18.00" deep center swing section. The center swing out feature provides outstanding front and rear access to cables and equipment.

The reversible cabinet mounting design makes left or right-hand swing out possible. This convenient feature also conserves valuable wall space. Knockouts sized for 1", 2", and 3" conduit and fittings are located at the top, bottom and rear for easy wiring, installation and maintenance.

Front and rear sections lock independently for added security.

Note: GL2418WM, GL24WM, GL36WM and GL48WM are configured with a plexiglas door and vented sides. Two pairs of 12-24 tapped 19" EIA rails are provided with each enclosure.



INDUSTRIAL
CONTROL
PANEL
ENCLOSURE

STOCK COLOR: Black

WM SERIES WALL MOUNT/SWING OUT Enclosures

| PART NO. | DESCRIPTION |
|-----------|---|
| GL2418WM | Dimensions: 24"H x 21.25"W x 18"D Wt. cap.: 150 lbs. Rack spaces: 12 U Shipping wt.: 85 lbs. |
| GL2418WMS | Same as GL2418WM except solid door |
| GL24WM | Dimensions: 24"H x 21.25"W x 24.50"D Wt. cap.: 150 lbs. Rack spaces: 12 U Shipping wt.: 95 lbs. |
| GL24WMS | Same as GL24WM except solid door |
| GL36WM | Dimensions: 36"H x 21.25"W x 24.50"D Wt. cap.: 250 lbs. Rack spaces: 19 U Shipping wt.: 125 lbs. |
| GL36WMS | Same as GL36WM except solid door |
| GL48WM | Dimensions: 48"H x 21.25"W x 24.50"D Wt. cap.: 300 lbs. Rack spaces: 25 U Shipping wt.: 160 lbs. |
| GL48WMS | Same as GL48WM except solid door |

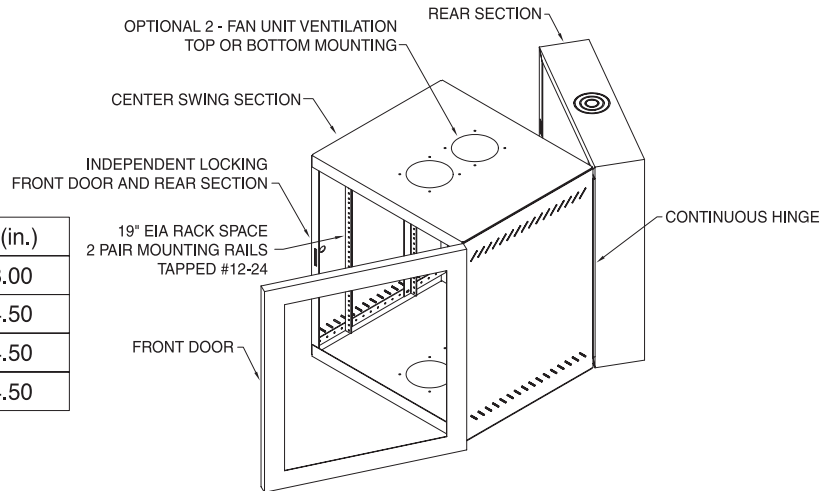
**Maximum weight capacities at minimal deflection.*

"The Industry Standard"
our Best Selling Wall Mount Enclosure!

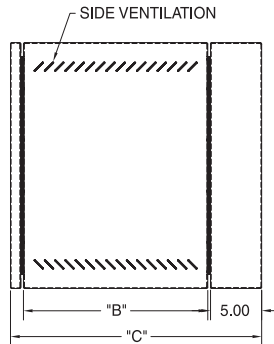
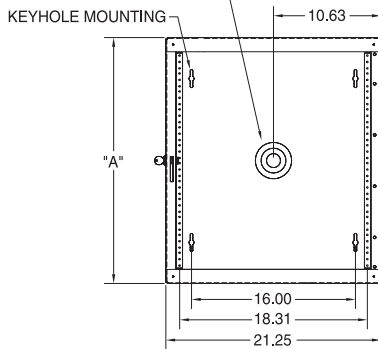
Wall Mount Enclosures

WM SERIES WALL MOUNT/SWING OUT Enclosures (con't. from page 6)

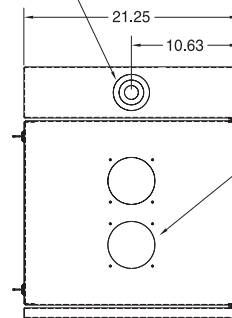
| P/N | A (in.) | B (in.) | C (in.) |
|----------|---------|---------|---------|
| GL2418WM | 24.00 | 11.25 | 18.00 |
| GL24WM | 24.00 | 18.00 | 24.50 |
| GL36WM | 36.00 | 18.00 | 24.50 |
| GL48WM | 48.00 | 18.00 | 24.50 |



KNOCKOUT FOR CONDUIT
CONDUIT SIZES: 1", 2", 3"
REAR SECTION



KNOCKOUT FOR CONDUIT
CONDUIT SIZES: 1", 2", 3"
TOP AND BOTTOM - REAR SECTION



NOTE: 2 - FAN UNIT MOUNTING
SHOWN TYP. GL24WM, GL36WM,
AND GL48WM. FAN UNIT MOUNTING
ROTATED 90° ON GL2418WM

ACCESSORIES

| PART NO. | DESCRIPTION |
|----------|---|
| 7217WS | Fan assembly w/fan guards and two 75 CFM fans |
| 7206-FM | Stationary front mount shelf – 17.25"W x 18.00"D |
| 7206-EIA | Stationary shelf – 17.468"W x 18.00"D |
| 7206-SL | Sliding shelf – 16.343"W x 17.50"D |
| 7206-14 | Stationary shelf 17.50"W x 14.00"D |
| 7219 | 6 position power strip w/circuit breaker & 15 ft. cord for 19" mounting |
| 7219-S | 6 position power strip with circuit breaker and surge suppressor for 19" rack mounting |
| CBB-19 | Copper bus bar, 19" rack mounted (isolated) |