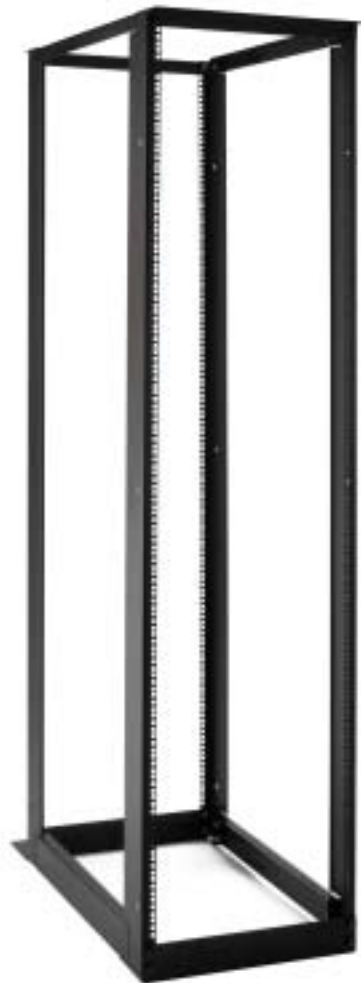


Four Post Racks

New

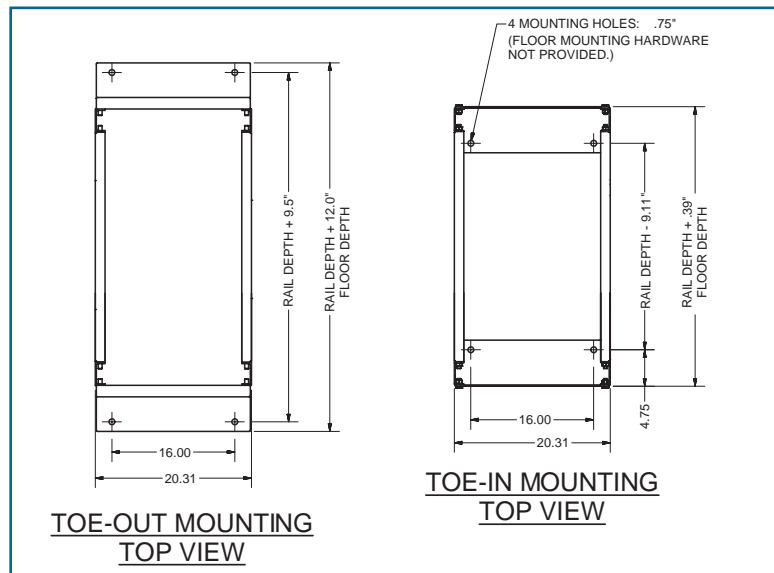


FEATURES:

- 84" H x 20.6" W
- Mounting #12-24 threaded or Universal Mount (M6 hardware)
- Mounting Depth - 24", 29", 32", 36"
- Assembly hardware included
- Mounting hardware included (50 x 12/24 type 23 screws or 50 x M6 cage nuts with screws)
- EIA 310-D compliant
- Ships unassembled
- Ganging of multiple racks possible with GLRR-1984 series
- Toe-out or toe-in mounting (see below)

Racks

Photo shows universal (M6) mounting. Also available with #12-24 threaded mounting. See below.



4P1224 and 4PM6 Four Post Racks

DESCRIPTION

Four post rack with #12-24 threaded mounting (#12-24 screws provided - qty. 50 each), black anodized aluminum uprights and 12 gauge bracket set. Shipping weight 70 lbs. - 3 packages

PART NO.	RAIL DEPTH
4P1224-24	24" deep
4P1224-29	29" deep
4P1224-32	32" deep
4P1224-36	36" deep

DESCRIPTION

Four post rack with Universal mounting (M6 cage nuts and screws provided - qty. 50 each), 12 gauge cold rolled steel, painted black with durable powder coat. Shipping weight 97 lbs. - 3 packages

PART NO.	RAIL DEPTH
4PM6-24	24" deep
4PM6-29	29" deep
4PM6-32	32" deep
4PM6-36	36" deep