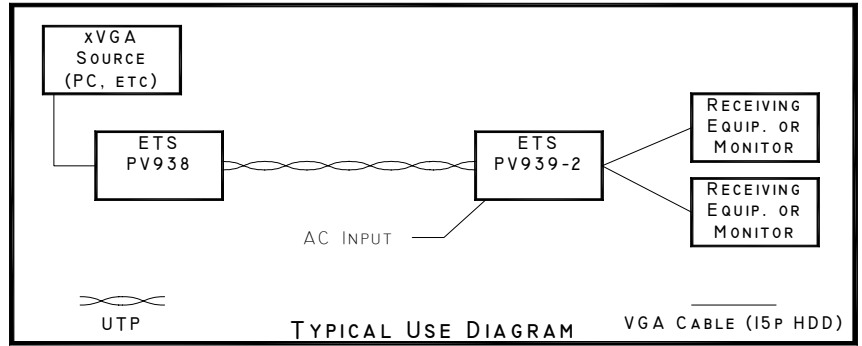


PV937-2

Active VGA Balun Set, Dual Output



Features/Advantages	Description	Applications
<ul style="list-style-type: none"> • Transmit XGA signals on a single run of 4 pair UTP • Active receiver regenerates signals, splits to provide (2) outputs at receiver end • Passive send unit at computer • Compact plastic cases • Made in USA. 100% QA. 	<p>The PV937-2 Active VGA Set, Dual Output is based on the solid foundation of our Passive VGA balun series. This first product in the Active VGA line from ETS allows signals to be sent from a computer over a single 4 pair UTP run at distances of over 100 meters*.</p> <p>At the source end, a passive technology balun (PV938) with a 15pin HDD connector cable hooks to your computer. At the receiving end, the PV939-2 (powered via AC transformer) actively regenerates the RGBHV signals from the source, and splits to provide two outputs.</p> <p>CAUTION: This product does not work with most LCD and other flat panel displays.</p>	<ul style="list-style-type: none"> • Conference Rooms • Meeting Halls • Churches • Schools • Classrooms • Auditoriums • Information Kiosks • Monitoring Stations

*NOTE: Results may vary depending on quality of cable as well as monitor circuitry. Category 5e or better cable recommended.

Specifications		Product Ordering Information	
Bandwidth	Flat to 60 MHz (RGB)	PV937-2	Active VGA Set, Dual Output + Transformer
Connectors	15p HDD to RJ45 Red : HDD 1(6 gnd) to 1 & 2 RJ45 Green: HDD 2 (7 gnd) to 4 & 5 RJ45 Blue: HDD 3 (8 gnd) to 7 & 8 RJ45 H & V sync: HDD 13, 14 to 3 & 6 RJ45	PV938	Computer End for PV937-2 (passive).
Power	9 VDC, 500mA, (+) center (for PV939-2)	PV939-2	Receive End for PV937-2 (active)
Dimensions	140mm x 85mm x 40mm (PV939-2) 66mm x 66mm x 28mm (PV938)	21561	AC Transformer
Net Weight	0.55kg		

© Copyright 1999-2001 Energy Transformation Systems
 FatCat5 System panels and information outlets protected under US Patent Number 6,123,577. FatCat5, FatCat5 System, Chameleon Color Coding System, Balanced Star, Balanced Line, Monoline and Precision Wave are trademarks of Energy Transformation Systems. All other brand or product names are or may be trademarks of, and are used to identify the products or services of their respective owners.
 Revised 06/05/2001



<http://www.etslan.com>

Energy Transformation Systems, Inc.
 43353B Osgood Road, Fremont, CA 94539
 Toll Free 800-752-8208 Fax 510-656-2026