

110Connect PLUG KIT		PATCH CORD DIAMETER	
DESCR	PART NO.	MINIMUM	MAXIMUM
1 PAIR	569477-1	2.41 [.095]	3.05 [.120]
2 PAIR	569478-1	4.45 [.175]	5.08 [.200]
3 PAIR	569479-1	4.70 [.185]	5.33 [.210]
4 PAIR	569480-1	4.95 [.195]	5.59 [.220]

Figure 1

**1. INTRODUCTION**

This instruction sheet covers the field termination and installation of AMP 110Connect XC System Patch Cord Plug Kits listed in Figure 1.

**NOTE** Dimensions are in millimeters [followed by inch equivalent in brackets]. Illustrations are for identification only and are not drawn to scale.

Reasons for reissue of this document are provided in Section 6, REVISION SUMMARY.

**2. DESCRIPTION**

Each kit includes an upper plug housing and a lower plug assembly (with insulation displacement contacts). The kits are designed to terminate patch cords having diameter ranges shown in Figure 1.

**3. TERMINATION PROCEDURE**

Cut a desired length of 24 AWG, stranded, unshielded twisted pair, category 5 patch cord and proceed as follows:

1. Use a cable stripper to remove approximately 44.5 mm [1.75 in.] of cord jacket.
2. Fan and position conductor pairs in blue, orange, green, and brown order (left to right). See Figure 2.

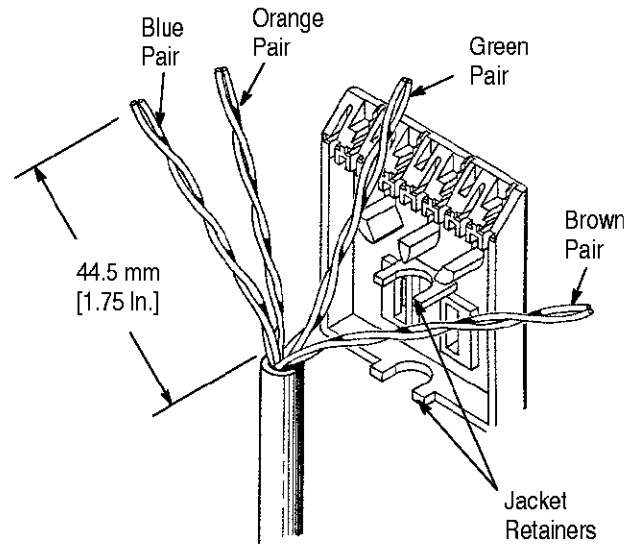


Figure 2

3. Place cord in upper plug housing, with end of jacket extending through U-shaped central jacket retainer.
4. Position each pair in space designated by color code marked beside or between lacing posts. Place thumb over top of posts to hold conductors in place.
5. One pair at a time, grasp end of conductors and untwist pair just enough to pull each conductor firmly down into holding slot. White conductor of each pair must be placed in left slot. See Figure 3.

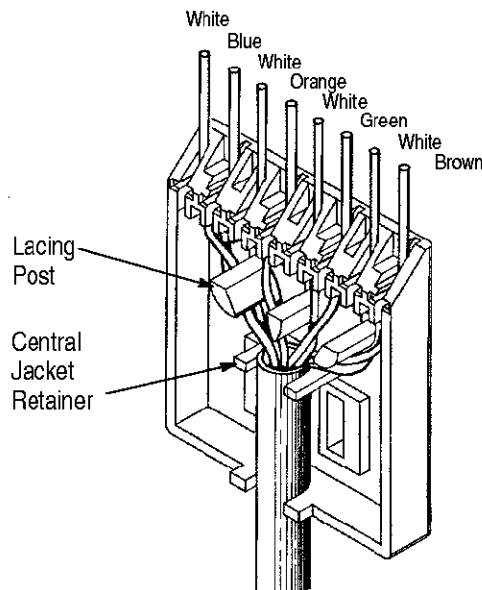


Figure 3

6. After all conductors have been seated in holding slots, press side of diagonal wire cutter flush against angled front surface of housing and cut off excess conductor length. See Figure 4.

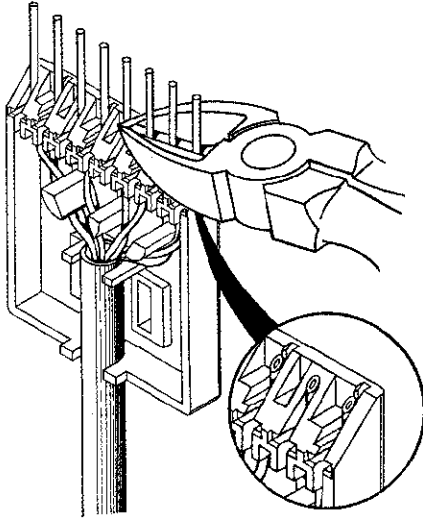


Figure 4

7. Invert lower plug assembly and carefully align over upper plug housing. Place tips of contacts into slots over each conductor. See Figure 5.

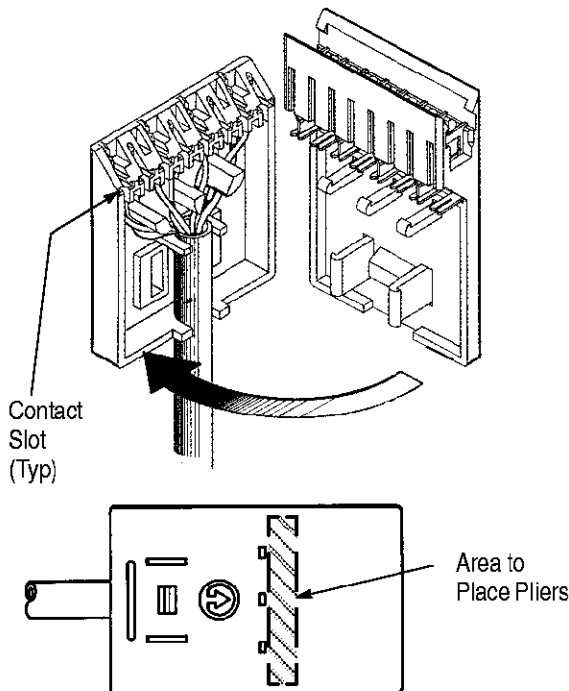


Figure 5

8. Position slip-joint (parallel jaw) pliers just in front of raised circle/arrow symbol on plug assembly. Press plug assembly and plug housing together. Simultaneously press rear of assembly over cord exit point between thumb and fingers to ensure that cord strain relief latches engage fully.

9. Visually inspect all latches for closure (see Figure 6).

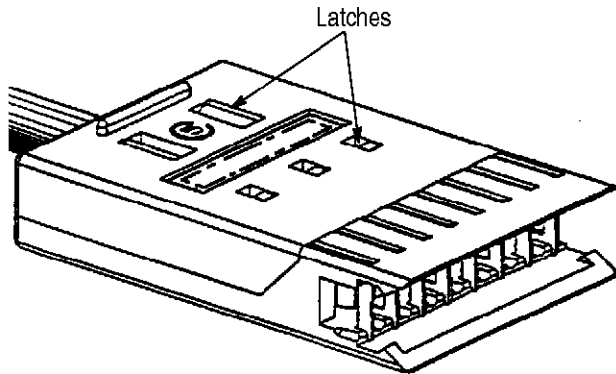


Figure 6

#### 4. PLUG INSTALLATION

Ensure that side of plug having the circle/arrow symbol is facing upward. Align plug with connecting block and push plug straight onto connecting block.

#### 5. PLUG REMOVAL

Grip rear surface of plug with fingers and pull straight out.

#### 6. REVISION SUMMARY

Revisions to this document per EC 0990-0536-01:

- Updated document to corporate requirements
- Added [www.ampnetconnect.com](http://www.ampnetconnect.com) address