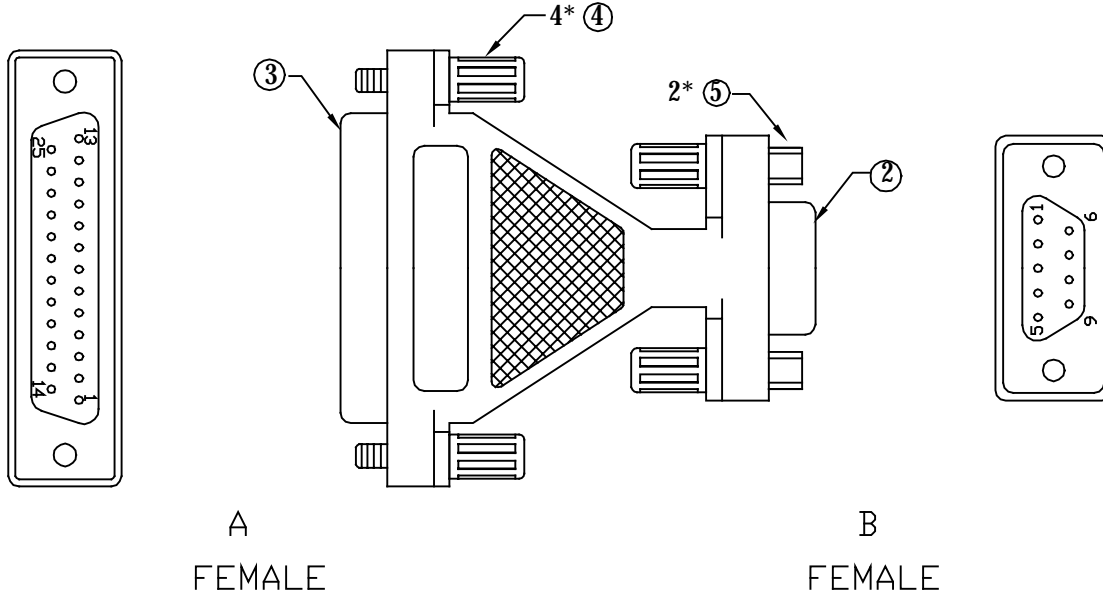


| REVISIONS |             |          |
|-----------|-------------|----------|
| REV       | DESCRIPTION | APPROVED |
|           |             |          |



A  
FEMALE

B  
FEMALE

| PIN        |       | OUTS        |  |
|------------|-------|-------------|--|
| A          |       | B           |  |
| DB 25 MALE |       | DB 9 FEMALE |  |
| 8          | ————— | 1           |  |
| 3          | ————— | 2           |  |
| 2          | ————— | 3           |  |
| 20         | ————— | 4           |  |
| 7          | ————— | 5           |  |
| 6          | ————— | 6           |  |
| 4          | ————— | 7           |  |
| 5          | ————— | 8           |  |
| 22         | ————— | 9           |  |
| Shell      | ————— | Shell       |  |

NOTES:

- 1.MOLDED CONNECTOR END REQUIREMENTS:
- A.INNER MOLD USING PE
- B.ALUMINUM FOIL WRAP TO CONNECTOR
- C.PVC - 45P PLATINUM GRAY

| INSULATION: UPON 1M ohm AND 1M ohm ELECTRIC CONDUCTION:INSIDE 1.5K ohm |   |       |        |
|--|---|-------|--------|
| ITEMNO   | PART NAMES  | QTY   | REMARK |
| 5  | (SCREW)NUT:4.75*6mm NICKEL-PLATING                          | 2PCS  |        |
| 4  | THUMBSCREW: MALE 4*22mm NICKEL-PLATING                      | 4PCS  |        |
| 3  | CONNECTOR:DB25P FEMALE NICKEL-PLATING, INSULATOR COLOR:BLUE | 1PCS  |        |
| 2  | CONNECTOR:DB9P FEMALE NICKEL-PLATING, INSULATOR COLOR:BLUE  | 1PCS  |        |
| 1  | CABLE:JUMPER 26AWG OR 28AWG                                 | 10PCS |        |

|  |         |                                     |            |             |           |              |                            |
|--|---------|-------------------------------------|------------|-------------|-----------|--------------|----------------------------|
|  | PRODUCT | DB25P FEMALE TO DB9P FEMALE ADAPTER | CUSTOMER   |             | DRAWN     | Hvon .w      | <br>THREE ANGLE PROJECTION |
|  | CUS,NO  | 317                                 | VERSION    |             | CHECKED   | Jackson Cang |                            |
|  | DR,NO   | SD317                               | DRAWN DATE | OCT.10,2000 | APPROVERD | Jonny Chuang |                            |