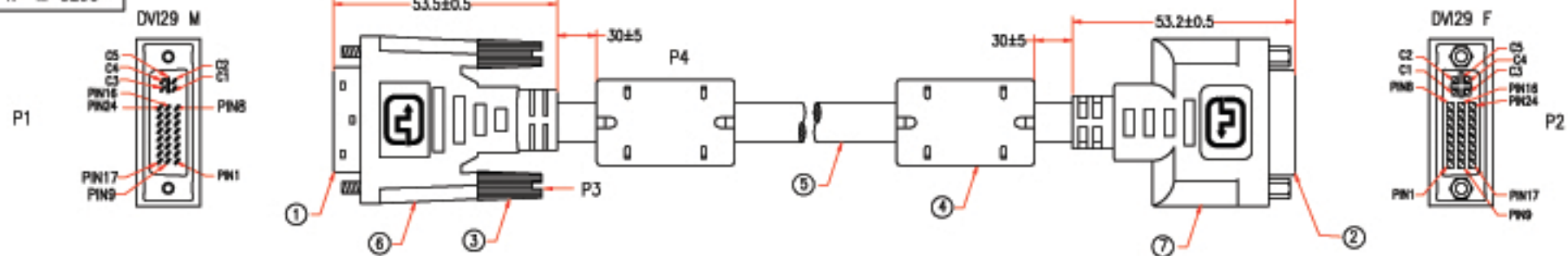
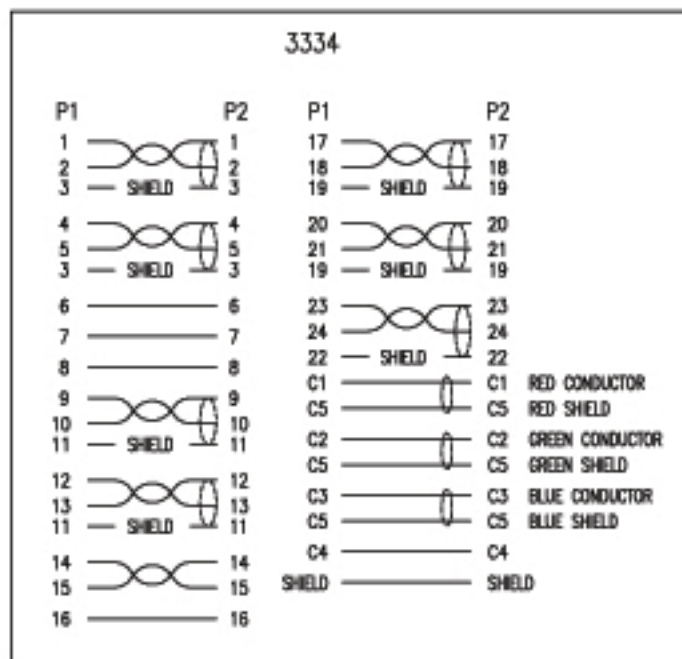


P1:	M-269E
P2:	M-Y269A
	M-269A
P3:	M-438A
P4:	M-323C

Customer No.: No.1



NOTE: All relevant materials are complied with RoHS directive .



7	BLACK HEAT SHRINK TUBE #3.0*10mm	6	M743
	BLACK HEAT SHRINK TUBE #1.5*10mm	6	M743
	COPPER FOIL 33*65mm	1	M309
	MOLDED PE COLOR TRANSPARENT		TWN
	MOLDED PVC BLACK		M304
6	BLACK HEAT SHRINK TUBE #3.0*10mm	6	M743
	BLACK HEAT SHRINK TUBE #1.5*10mm	6	M743
	DVI29 TINPLATE	1	M58
	ASSEMBLY PVC BOOT, COLOR BLACK	1	M304
5	UL20276 3 MINI COAXIAL 30AWG+(28AWG*1PAIR)*7pcs+28AWG*1PAIR+(28AWG*5C), ALUM-MYLAR FOIL AND COPPER BRAID SHIELDING, OD 9.5mm, JACKET BLACK	1980mm	M2
4	FERRITE CORE 17.5*28.5*10.5mm	2	M113
	MOLDED PVC BLACK		M304
3	MOLDED THUMBSCOREW #4-40 LENGTH 44.25mm BLACK	2	M95
2	DVI 29 FEMALE, GOLD FLASH ON CONTACTS, WHITE INSULATOR	1	M78
	HEX-UNT 4.75*10mm	2	M78
1	DVI 29 MALE, GOLD FLASH ON CONTACTS, BLACK INSULATOR	1	M83
No.	DESCRIPTION	Q'TY	Supplier
APPROVED		<p>Cable Length Unless Other Spec. Tolerances: 0 ~200mm ±10mm 201~1000mm ±20mm 1001 ~1500mm ±25mm 1501~2100mm ±30mm 2100mm± ±40mm</p>	
CHECKED	TIAN		
DRAWING	LI		
DATE	06/JUN/08		
	CHECKED	UNIT:mm	