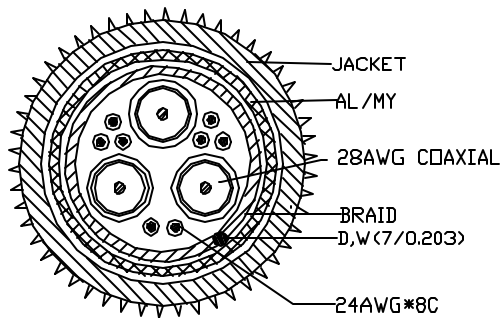
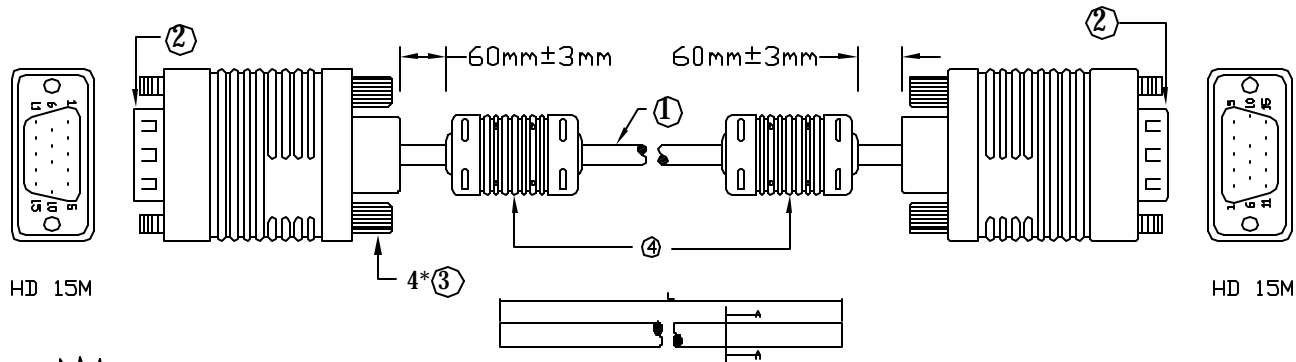


REVISIONS		
REV	DESCRIPTION	APPROVED



SECTION A-A

NOTES:

1.MOLDED CONNECTOR END REQUIREMENTS:

A.INNER MOLD USING PE

B.COPPER FOIL WRAP AND 360° SOLDER TO CONNECTOR

C.PVC - 45P BLACK

2.CABLE: { (28AWG(7/0.127)*1C+SPIRAL(38/0.12)*3C

+24AWG(7/0.203)*8C+AL/MY+D.W(7/0.203)

+85%BD(24/8/0.12)* TIN

COAXIAL INSULATION: FO-PE, OD= ϕ 1.6 \pm 0.1MM,NATURE

COAXIAL JACKET:105°C PVC,OD= ϕ 2.50 \pm 0.10MM

COLOR:RED,GREEN,BLUE

INSULATION:SR-PVC,OD= ϕ 1.15 \pm 0.05MM

COLOR:BLACK,BROWN,WHITE,YELLOW,RED,ORANGE,GREEN,GRAY

JACKET:80°C PVC,OD= ϕ 9.00 \pm 0.20MM(SAWTOOTH)

COLOR:UCA BLACK

MARKER:2919 AWM 80°C 30V VW-1

LOW VOLTAGE COMPUTER CABLE

3.FINISHED PRODUCTS LENGTH:

(1) LENGTH=1829mm TOLERANCE: \pm 25.4mm

(2) LENGTH=4572mm TOLERANCE: \pm 50.8mm

(3) LENGTH=7620mm TOLERANCE: \pm 76.2mm

(4) LENGTH=15240 mm TOLERANCE: \pm 76.2mm

(5) LENGTH=30480 mm TOLERANCE: \pm 101.6mm

PIN OUTS					
HD 15M	HD 15M	COLOR	HD 15M	HD 15M	COLOR
1	1	RED COAXIAL	10	10	RED
2	2	GREEN COAXIAL	11	11	ORANGE
3	3	BLUE COAXIAL	12	12	YELLOW
4	4	BLACK	13	13	GREEN
5	5	BROWN	14	14	WHITE
6	6	RED GROUND	15	15	GRAY
7	7	GRAY GROUND	Shell	Shell	
8	8	BLUE GROUND			

INSULATION UPON 1M ohm AND 1M ohm ELECTRIC CONDUCTION:INSIDE 15K ohm			
ITEM NO	PART NAMES	Q'TY	REMARK
4	FERRITE CORE:28.5*17.5*10mm	2PCS	
3	THUMBSCREW: MALE 4*40mm NICKEL-PLATING	4PCS	
2	CONNECTOR:HD15P MALE NICKEL-PLATING, INSULATOR COLOR:BLACK	2PCS	
1	CABLE:UL 2919 SAWTOOTH 3+8C	1PCS	



PRODUCT	HD15P MALE TO HD15P MALE	CUSTOMER		DRAWN	Hvon .W
CUS,NO	8-402F-XXX	VERSION		CHECKED	Jackson H
DR,NO		DRAWN DATE	DEC 21,2002	APPROVERD	Jacky Lin

