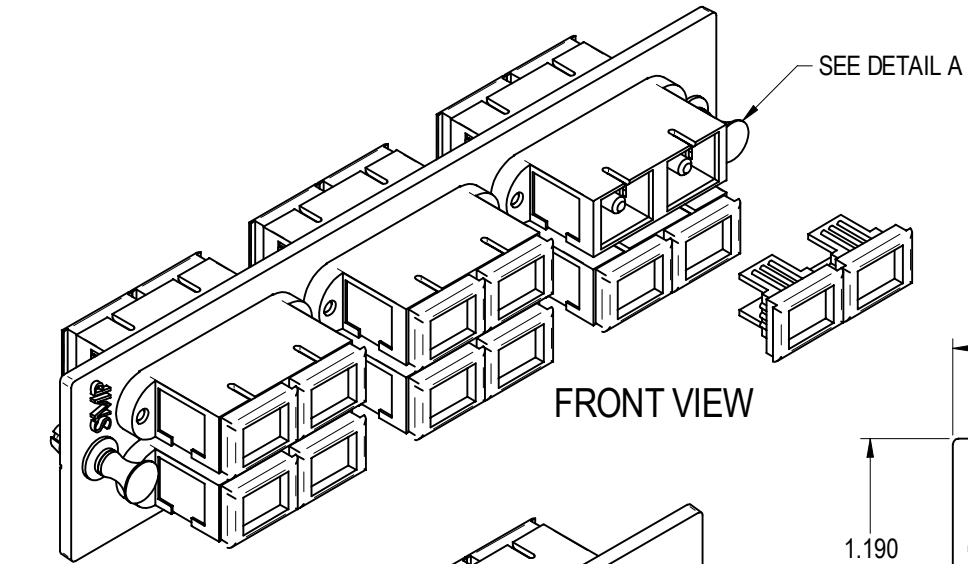
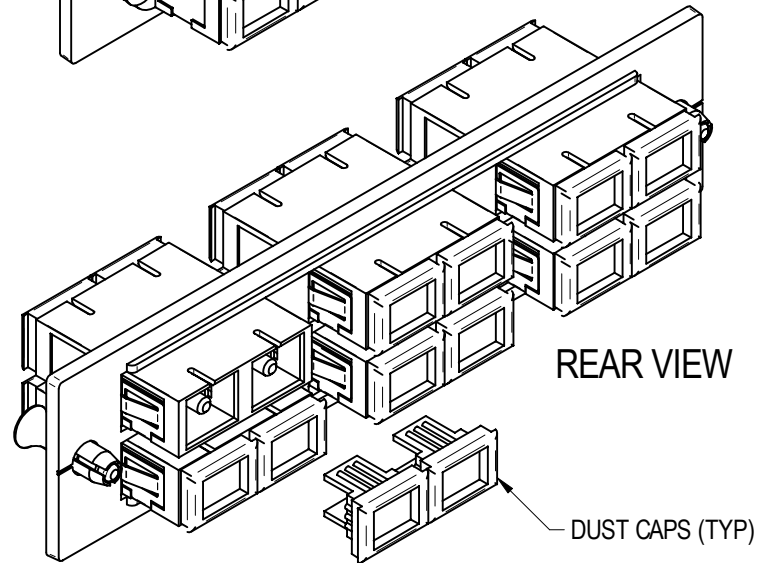


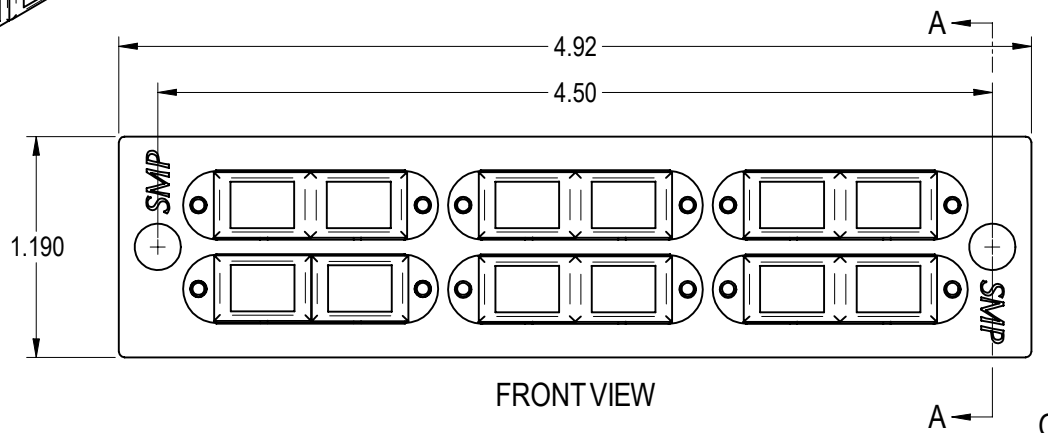
REVISION HISTORY				
REV	SHT	DESCRIPTION	DATE	CHECKED
A	ALL	RELEASE NEW	12/10/01	RBS
B	-	CHGD: PART NUMBER LIST FOR DUAL SC X 6 PORT	9/16/04	DAH
C	-	CHGD: PLATE FROM ALUMINUM TO GLASS FILLED PLASTIC	5/22/06	DAH



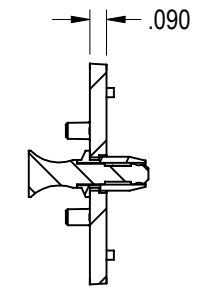
FRONT VIEW



REAR VIEW



FRONT VIEW



DETAIL A
GROMMET/PLUNGER
ORIENTATION

6112MMDSC	ADAPTER PLATE ASSY, DUAL SC X 6, MM, 12 PORT, SMP
6112SMDSC	ADAPTER PLATE ASSY, DUAL SC X 6, SM, 12 PORT, SMP
6112DSC	ADAPTER PLATE ASSY, DUAL SC X 6, SM/MM, 12 PORT, SMP
OPTICAL PART NO.	DESCRIPTION

UNCONTROLLED COPY

UNLESS OTHERWISE SPECIFIED DIMENSIONS ARE IN INCHES.
TOLERANCES: FRACTIONS ±1/32"
ANGLES ±1/2°
3 PLACE DECIMALS ±.005"
2 PLACE DECIMALS ±.01"



THIRD ANGLE PROJECTION

CRITICAL DIMENSION CODE
(F) = FUNCTION
(M) = MATING
(A) = AUDIT

MATERIAL
SEE BILL OF MATERIAL

FINISH
SEE BILL OF MATERIAL

DRAWN	D.A.HOLBERT	DATE	12/10/01
CHECKED	R.B.SMITH	DATE	1/16/02
ENGINEER	J.YANIK	DATE	12/10/01
APPROVED	R.B.SMITH	DATE	5/22/06
PREVIOUS DWG			
NEXT DWG		FILENAME	C103340C.DFT

DWG TITLE			CUSTOMER DRAWING, ADAPTER PLATE ASSY, DUAL SC X 6, SM/MM, 12 PORT		
SIZE	DWG NO.	REV			
B	C103340	C			
SCALE:	NONE	SHEET	1 OF 1		