

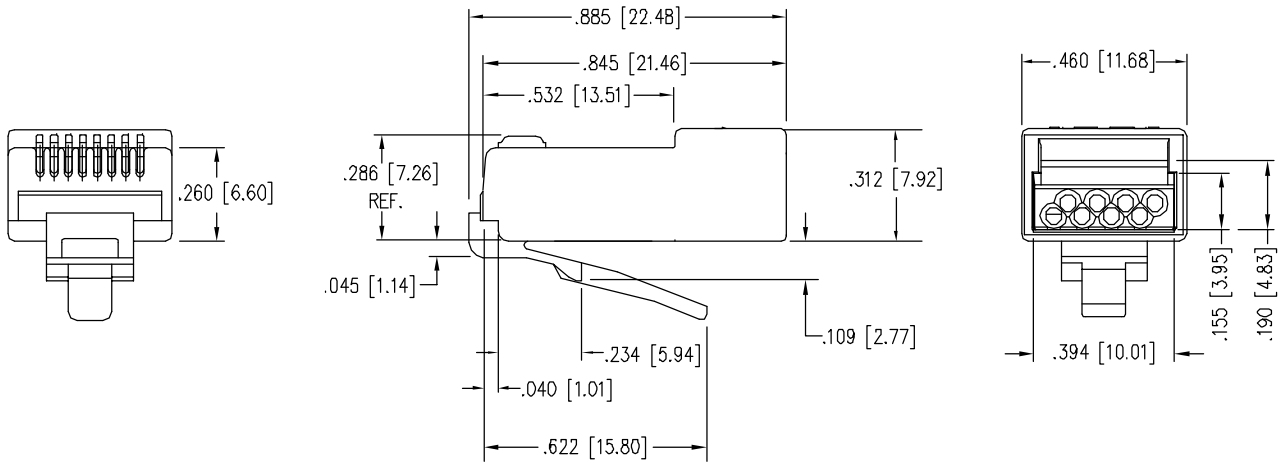
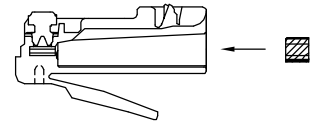
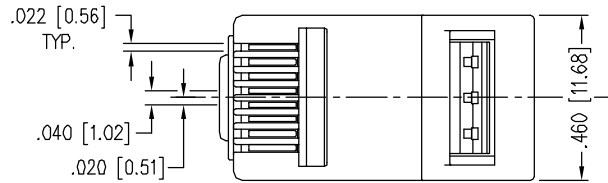
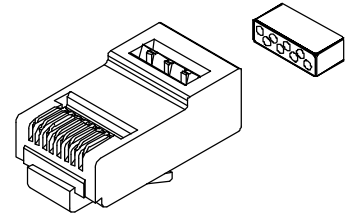
Sentinel Connector Systems Inc.

1953 Stanton Street

York, Pa. 17404

PART NO.: 111-08080054L34

- * EIGHT CONDUCTOR MODULAR PLUG
- * FOR CONDUCTORS WITH AN O.D. OF .042
- * USES .012 CONTACT
- * PRODUCT REQUIRES A LOAD BAR
- * FOR CAT 6 PATCH CORD APPLICATIONS
- * FOR SOLID OR STRANDED WIRE APPLICATIONS
- * PATENT PENDING



"PATENTED"

SPECIFICATIONS :

PERFORMANCE:

MEETS OR EXCEEDS CATAGORY 6 EIA/TIA 568 A-B,2

CONTACT MATERIAL:

PHOSPHOR BRONZE - .012 THK

CONTACT PLATING:

50 MICRO-INCH : OTHER PLATING OPTIONS AVAILABLE
 SELECTIVE 24 CARAT HARD GOLD PLATE IN CONTACT AREA
 OVER 100 MICRO-INCH MINIMUM NICKEL PLATE
 PER CURRENT SELECTIVE GOLD PLATING REQUIREMENTS.

PLUG MATERIAL:

POLYCARBONATE

PLUG TOLERANCES AND DIMENSIONS:

COMPLIES WITH F.C.C REQUIREMENTS

FLAME AUTO EXTINGUISH

94-V0 - File# E188111

OPERATION TEMPERATURE:

-40°C TO +85°C

INSERTION/EXTRACTION LIFE:

1000 CYCLES

CONTACT RESISTANCE:

10 MILLOHMS MAX.

CURRENT/VOLTAGE:

30 VAC/42 VDC AT 1.5 AMPS

