

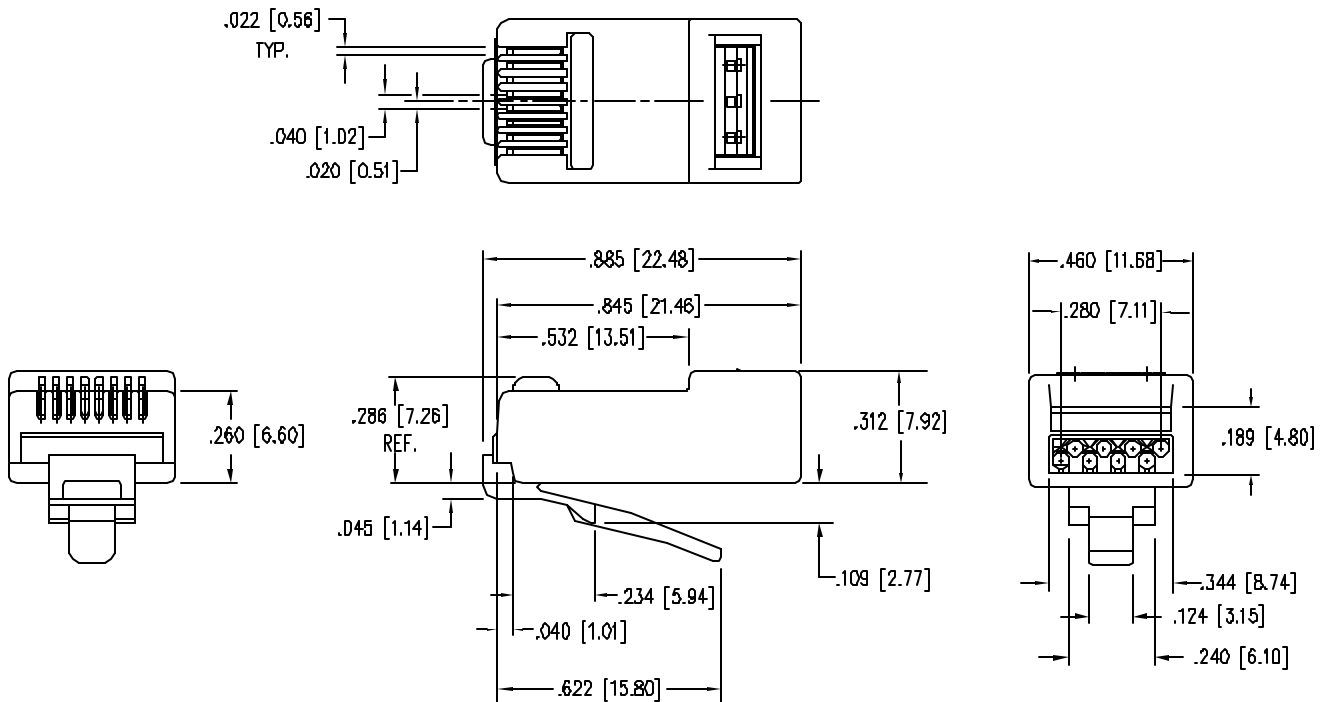
# Sentinel Connector Systems Inc.

1953 Stanton Street

York, Pa. 17404

PART NO.: 111-080800-34

- \* EIGHT CONDUCTOR HIGH PERFORMANCE MODULAR PLUG
- \* FOR FLAT, OVAL OR ROUND CABLE
- \* FOR SOLID OR STRANDED CONDUCTORS WITH AN O.D. RANGE OF .037/.042
- \* USES .012 THICK CONTACT



## SPECIFICATIONS :

### PERFORMANCE:

MEETS OR EXCEEDS CATEGORY 6 TIA/EIA 568-B.2-1 SPECIFICATIONS FOR DE-EMBEDDED NEXT WHEN ASSEMBLED TO CABLES MEETING CATEGORY 6 SPECIFICATIONS PER SENTINEL TERMINATION SPECIFICATION ENG00010.

### CONTACT MATERIAL:

PHOSPHOR BRONZE - .012 THK

### CONTACT PLATING:

50 MICRO-INCH : OTHER PLATING OPTIONS AVAILABLE  
SELECTIVE 24 CARAT HARD GOLD PLATE IN CONTACT AREA  
OVER 100 MICRO-INCH MINIMUM NICKEL PLATE  
PER CURRENT SELECTIVE GOLD PLATING REQUIREMENTS.

### PLUG MATERIAL:

POLYCARBONATE

### PLUG TOLERANCES AND DIMENSIONS:

COMPLIES WITH F.C.C REQUIREMENTS

### FLAME AUTO EXTINGUISH LEVEL:

94-V0 - File# E188111

### OPERATION TEMPERATURE:

-40°C TO +70°C

### INSERTION/EXTRACTION LIFE:

1000 CYCLES

### CONTACT RESISTANCE:

10 MILLOHMS MAX.

### CURRENT/VOLTAGE:

30 VAC/42 VDC AT 1.5 AMPS

### APPLICATIONS

RECOMMENDED USE ON SYSTEMS SUCH AS 10 BASE T, 100 BASE TX & ANY APPLICATION USING DATA LINES 1&2, 3&6. AS WELL AS CATEGORY 6 APPLICATIONS.

PRODUCT LINE — SIZE — OPENING — SPECIAL  
PART NO. = 111-080800XX-34  
SERIES — # CONTACTS — KEY — CONTACT/PLATING